

OREC

ISSUED NO. RM97EU-1

Parts catalogue

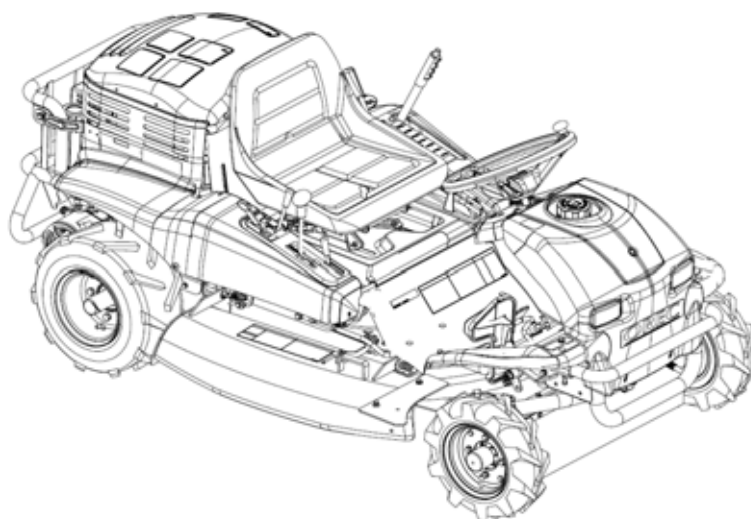
Rabbit Mower

(EXPORT MODEL)

RM97

MODEL
RM97

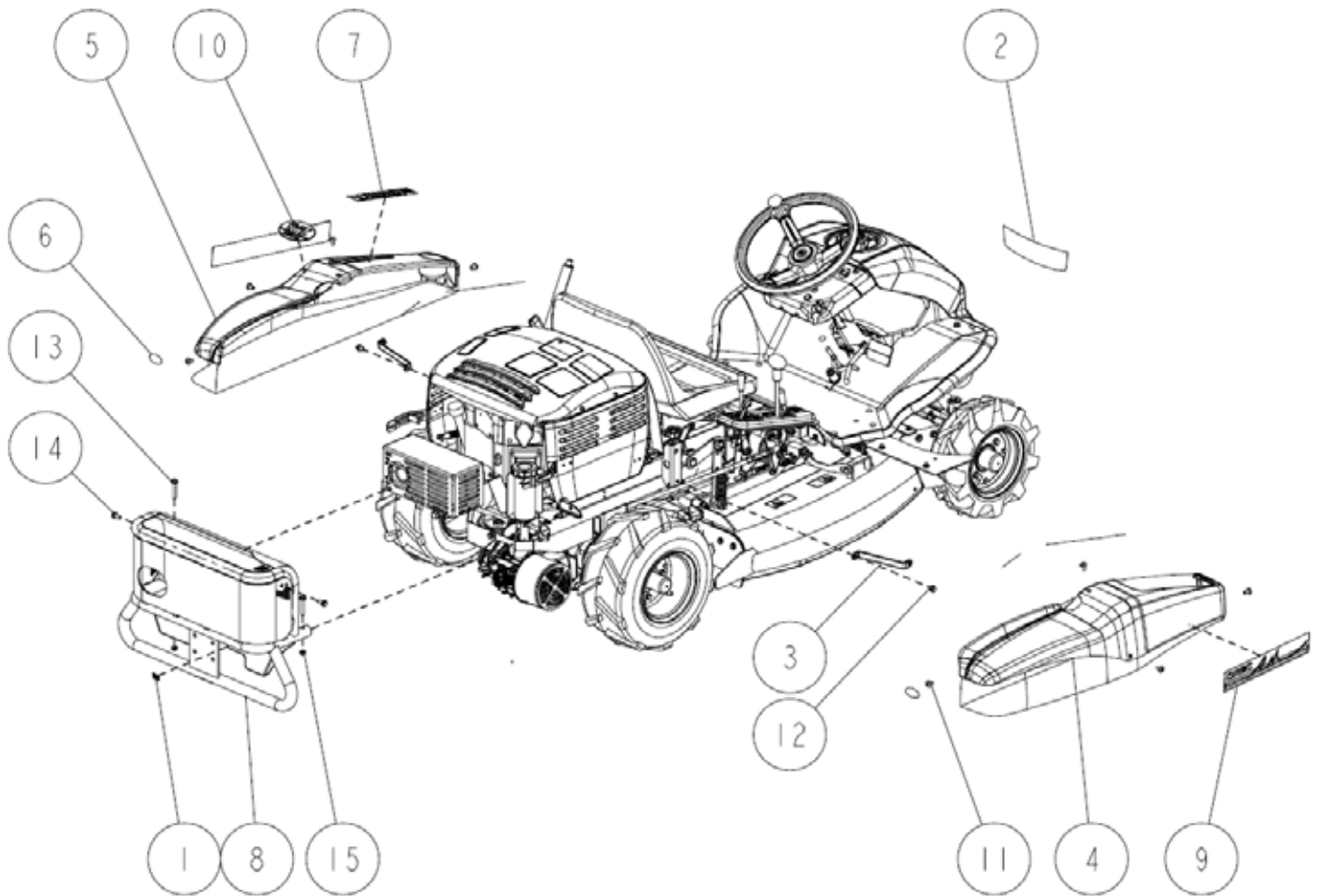
CODE
0292-



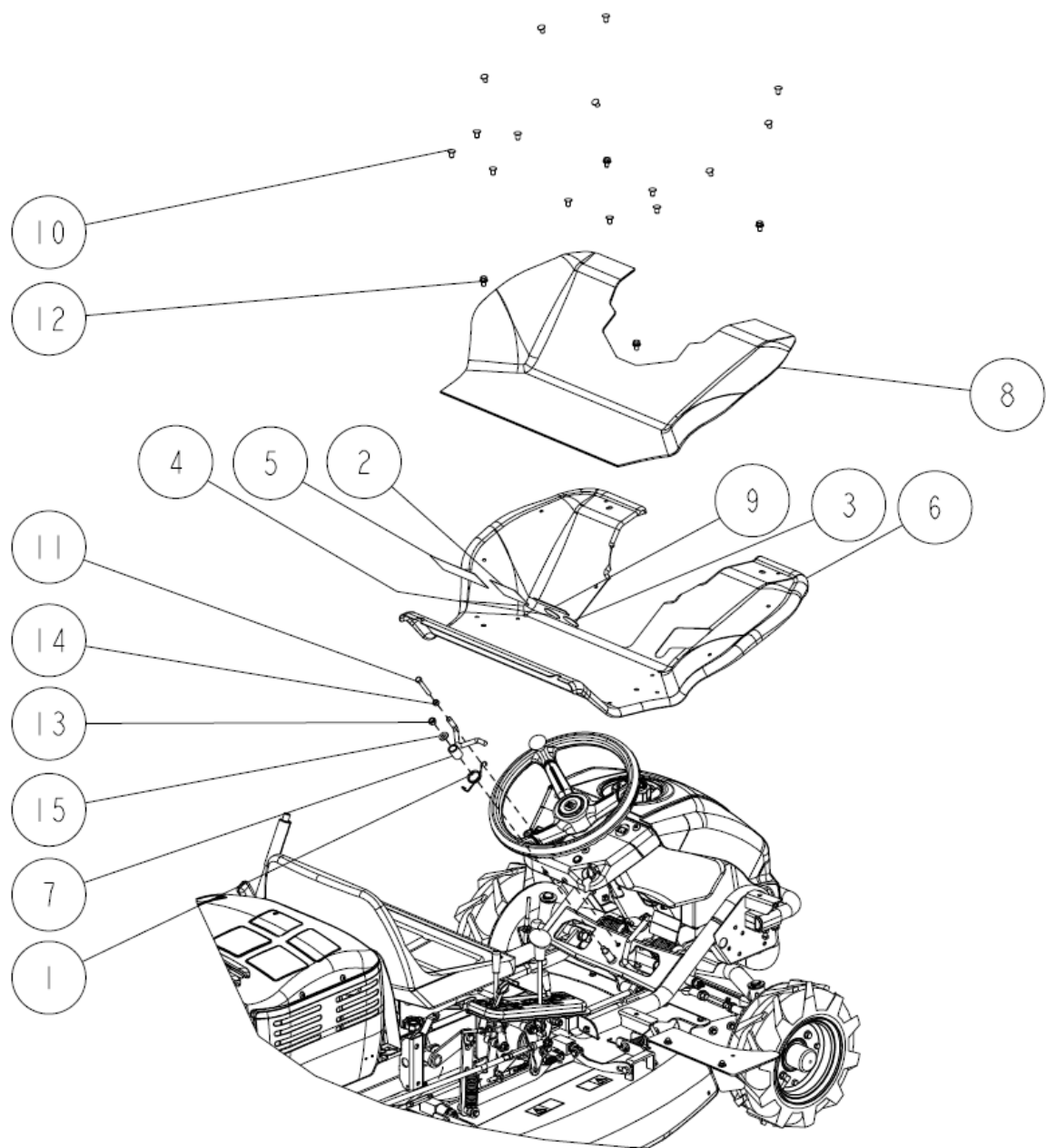
| CONTENTS | |
|---------------------|--------------|
| FRAME | 1-12 |
| TRANSMISSION | 13-21 |
| HST | 22-23 |
| HANDLE | 24-26 |
| FRONT | 27-30 |
| CONTROL | 31-35 |
| CUTTING | 36-42 |
| SEAT | 43-45 |
| ENGINE | 46-50 |

OREC CO.,LTD

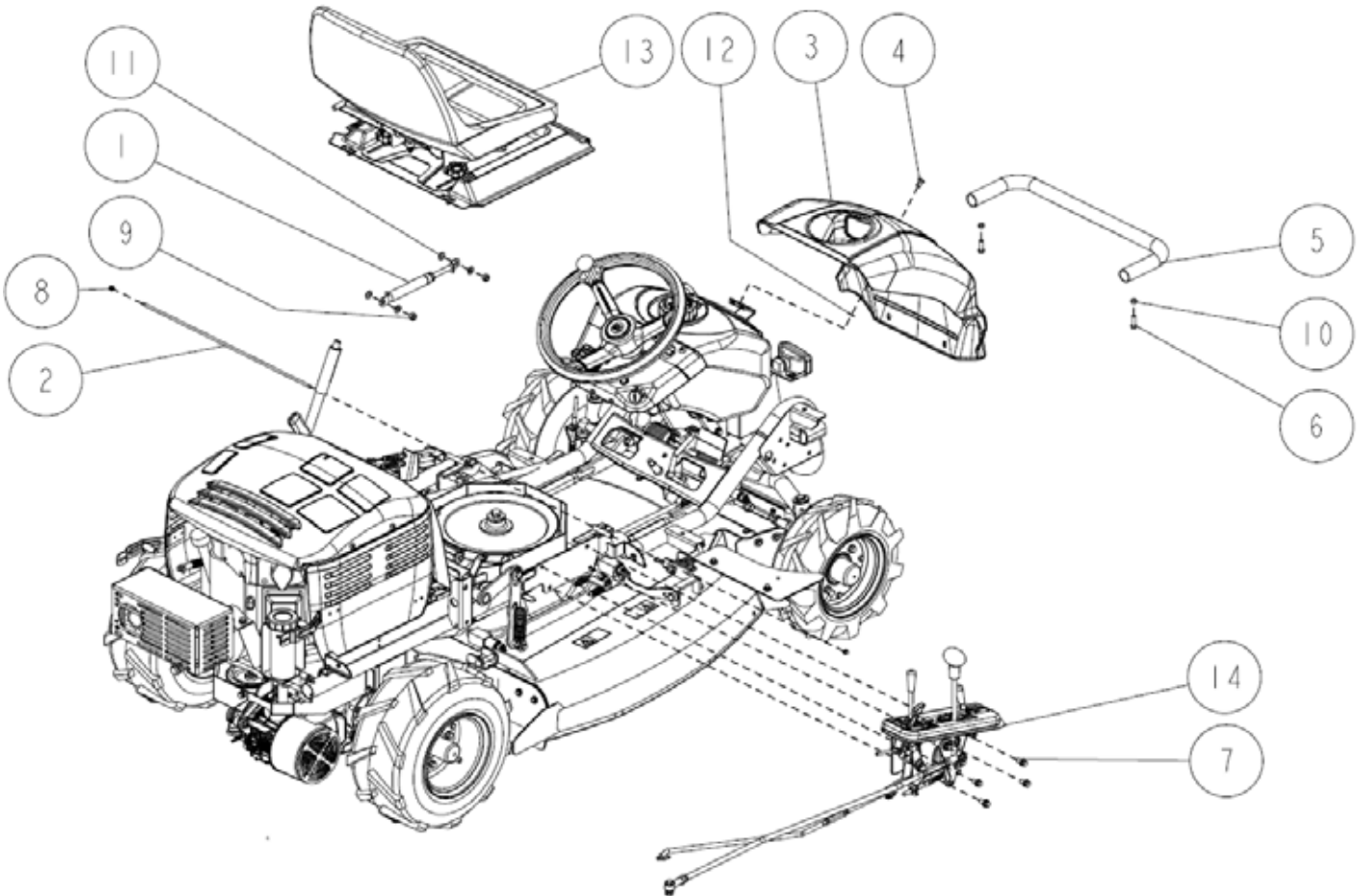
Update : Feb 2011



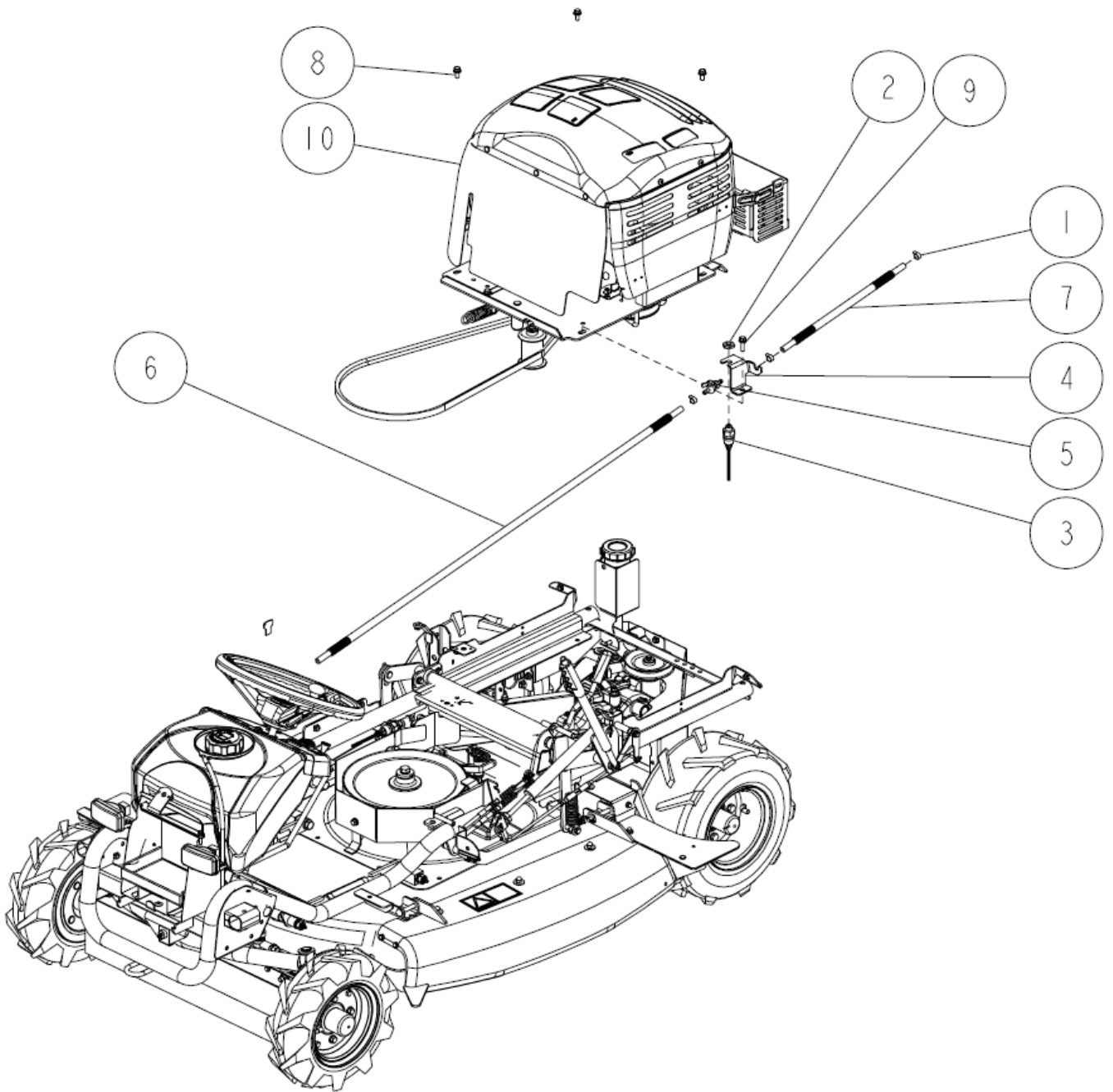
| 15 | 89-1631-080042 | Flange Mini Hexagonal Nut M8 | 3 | |
|------|----------------|---|----------|---------|
| 14 | 89-1253-080202 | Flange Mini Hexagonal Bolt (8T) M8*20 | 2 | |
| 13 | 89-1251-080502 | Flange Mini Hexagonal Bolt M8*50 | 2 | |
| 12 | 89-1233-080162 | Mini Hexagonal Bolt (PWSW) M8*16 | 2 | |
| 11 | 89-1159-080168 | Truss Mini Screw M8*16 | 8 | |
| 10 | 0292-92200 | Label, Model RM97 | 1 | |
| 9 | 0292-92100 | Label, Side Cover (Red) | 2 | |
| 8 | 0292-80100 | Sub Frame CMP | 1 | |
| 7 | 0259-80300 | Label, Cutting Height Adjusting (13255) | 1 | |
| 6 | 0244-81800 | Reflection Seat | 2 | |
| 5 | 0244-60210 | Side Cover (L) Red | 1 | |
| 4 | 0244-60110 | Side Cover (R) Red | 1 | |
| 3 | 0244-22400 | Side Cover Stay CMP | 2 | |
| 2 | 0227-71600 | Label, Main (OREC) | 1 | |
| 1 | 0217-70800 | Label, Gear Oil 1.0L | 1 | |
| Ref. | Parts Number | Parts Name | Quantity | Remarks |



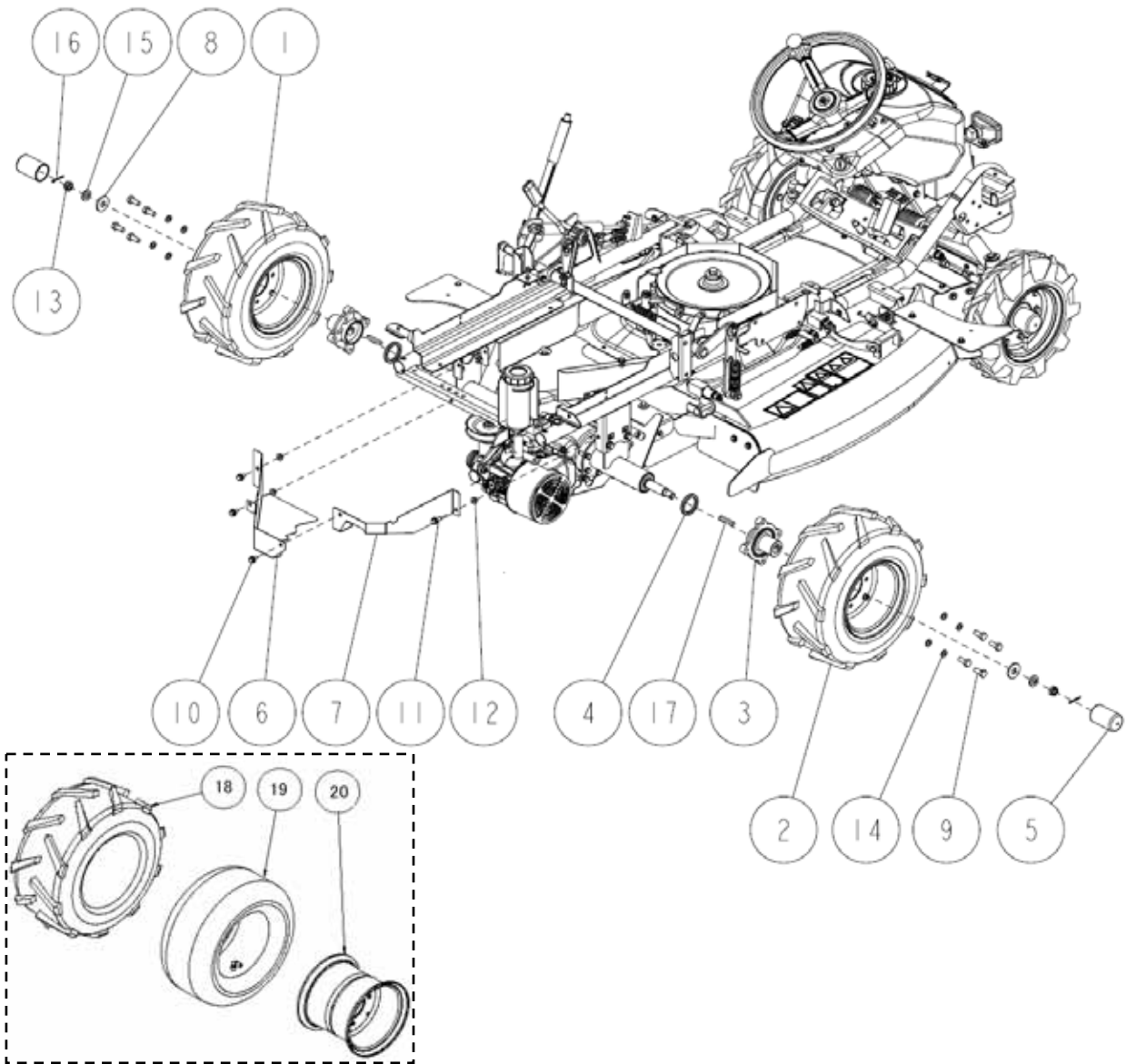
| 15 | 89-1714-100002 | Flat Washer 10 | 1 | |
|------|----------------|----------------------------------|----------|---------|
| 14 | 89-1611-080042 | Mini Hexagonal Nut M8 | 1 | |
| 13 | 89-1561-100002 | Mini Hexagonal U Nut M10 | 1 | |
| 12 | 89-1233-080162 | Mini Hexagonal Bolt (PWSW) M8*16 | 4 | |
| 11 | 89-1211-080552 | Mini Hexagonal Bolt M8*55 | 1 | |
| 10 | 83-1484-369-00 | Clip (5347) | 15 | |
| 9 | 83-1310-902-00 | OREC Mark | 1 | |
| 8 | 0244-70900 | Step Rubber | 1 | |
| 7 | 0244-32200 | Brake Stopper CMP | 1 | |
| 6 | 0244-20500 | Step | 1 | |
| 5 | 0223-76100 | Label, Caution (Large) | 1 | |
| 4 | 0215-83200 | Label, Protection Equipment | 1 | |
| 3 | 0215-83100 | Attention Mark for Slope | 1 | |
| 2 | 80-1488-921-00 | Label Pedal Stopper (13113) | 1 | |
| 1 | 80-1484-356-00 | Brake Stopper Return Spring | 1 | |
| Ref. | Parts Number | Parts Name | Quantity | Remarks |



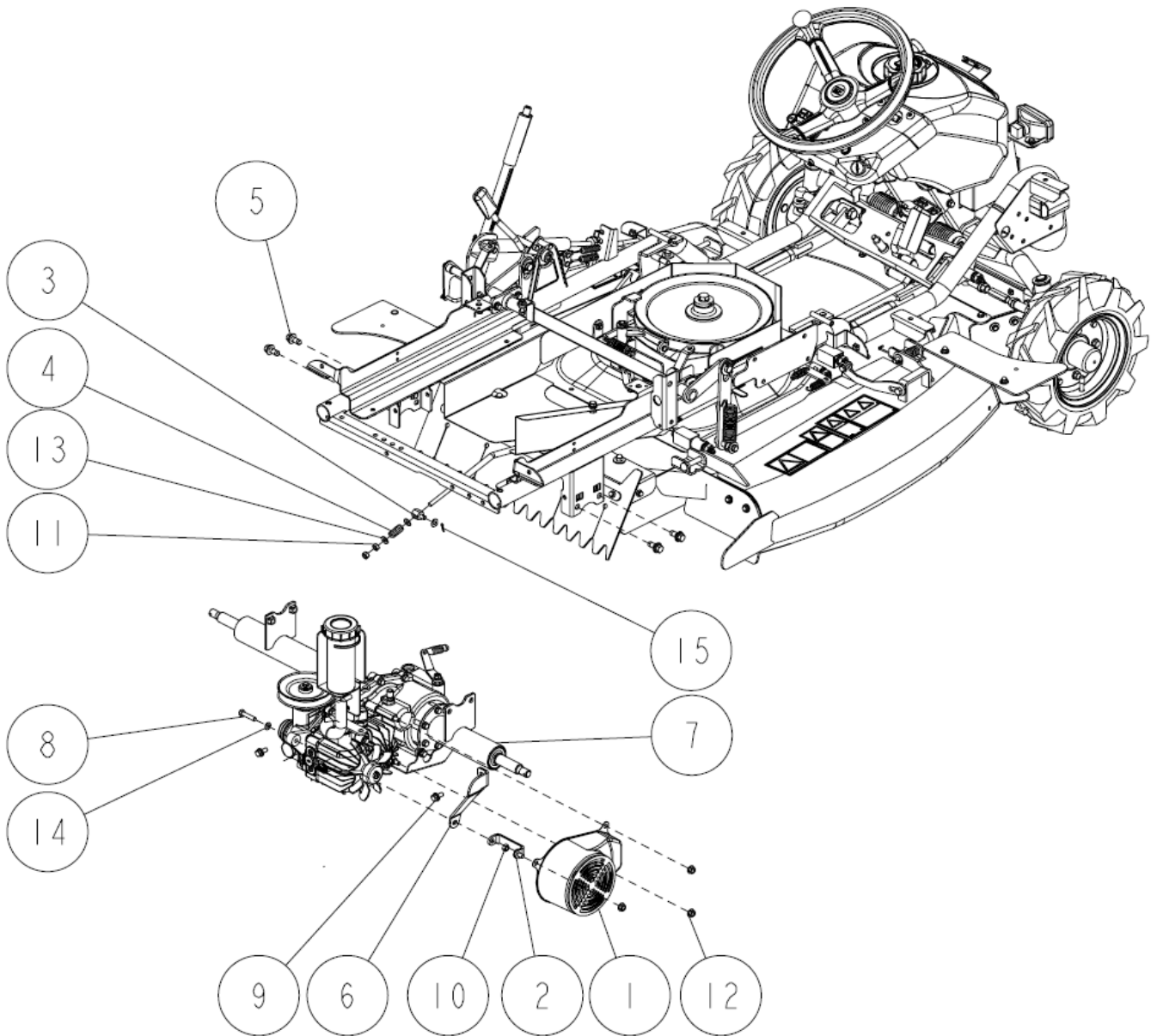
| 14 | - | Control Part | - | Page 31 |
|------|----------------|----------------------------------|----------|---------|
| 13 | - | Seat Part | - | Page 43 |
| 12 | 89-2521-000083 | E Type Ring 8 | 1 | |
| 11 | 89-1711-100002 | Flat Washer 10*18*1.6 | 4 | |
| 10 | 89-1611-080042 | Mini Hexagonal Nut M8 | 2 | |
| 9 | 89-1561-100002 | Mini Hexagonal U Nut M10 | 2 | |
| 8 | 89-1553-060002 | Bag Hexagonal U Nut M6 | 2 | |
| 7 | 89-1233-080202 | Mini Hexagonal Bolt (PWSW) M8*20 | 4 | |
| 6 | 89-1211-080252 | Mini Hexagonal Bolt M8*25 | 2 | |
| 5 | 0255-20200 | Front Bumper | 1 | |
| 4 | 0244-71300 | Sine Fastener T9-170 | 1 | |
| 3 | 0244-60600 | Front Cover | 1 | |
| 2 | 0244-22200 | Seat Bracket Shaft | 1 | |
| 1 | 0207-72700 | Gas Spring KMF 50-40 | 1 | |
| Ref. | Parts Number | Parts Name | Quantity | Remarks |



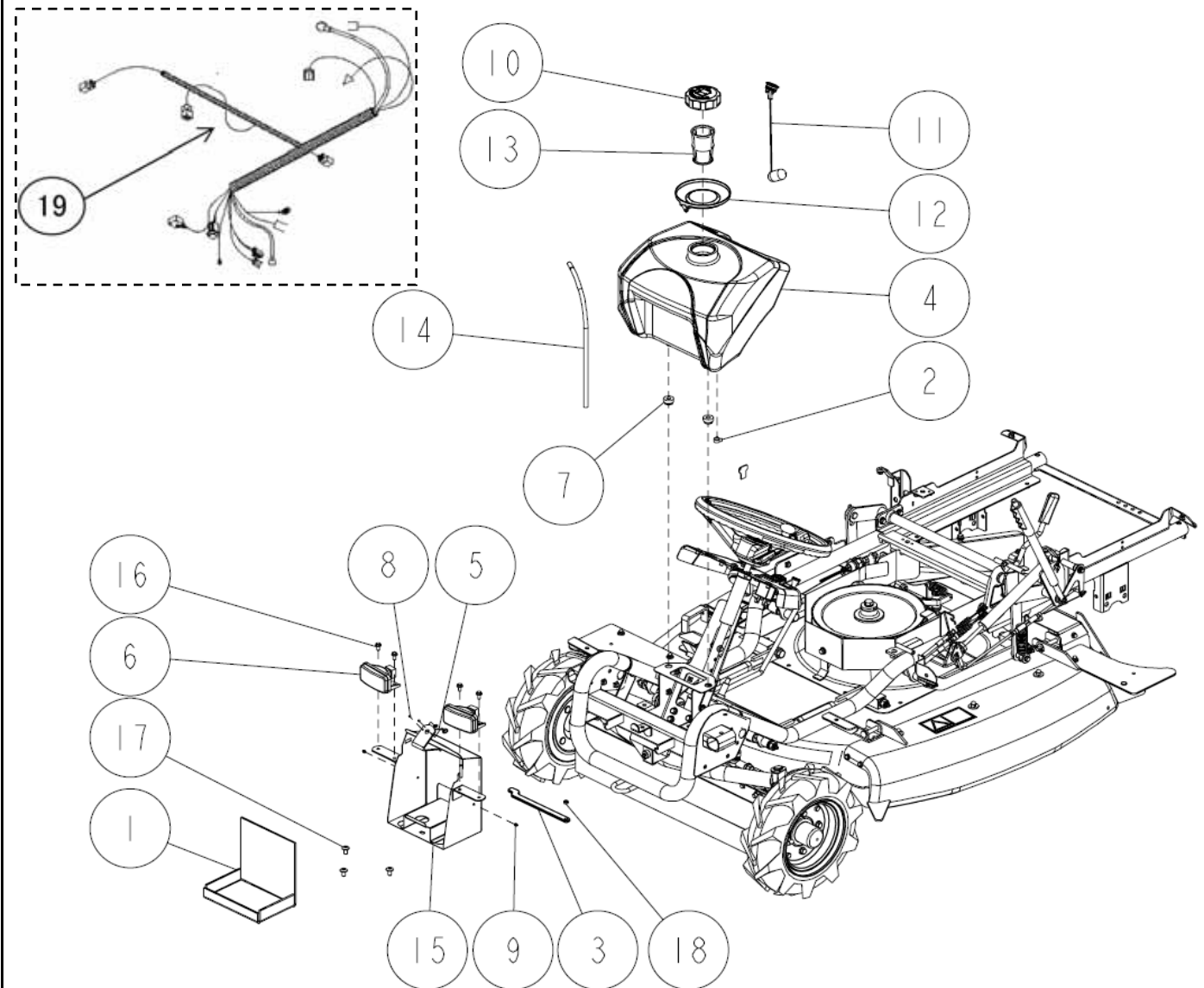
| 10 | - | Engine Part | - | Page 46 |
|------|----------------|----------------------------------|----------|---------|
| 9 | 89-1233-080302 | Mini Hexagonal Bolt (PWSW) M8*30 | 1 | |
| 8 | 89-1233-080202 | Mini Hexagonal Bolt (PWSW) M8*20 | 3 | |
| 7 | 0244-75300 | Fuel Hose (B) | 1 | |
| 6 | 0244-75200 | Fuel Hose (Front) | 1 | |
| 5 | 0244-74500 | Fuel Cock | 1 | |
| 4 | 0244-20400 | Fuel Cock Bracket | 1 | |
| 3 | 0207-74400 | Safety Switch K17850 | 1 | |
| 2 | 0207-72800 | Switch Lock Nut | 1 | |
| 1 | 80-1483-988-00 | Hose Clip 17 | 3 | |
| Ref. | Parts Number | Parts Name | Quantity | Remarks |



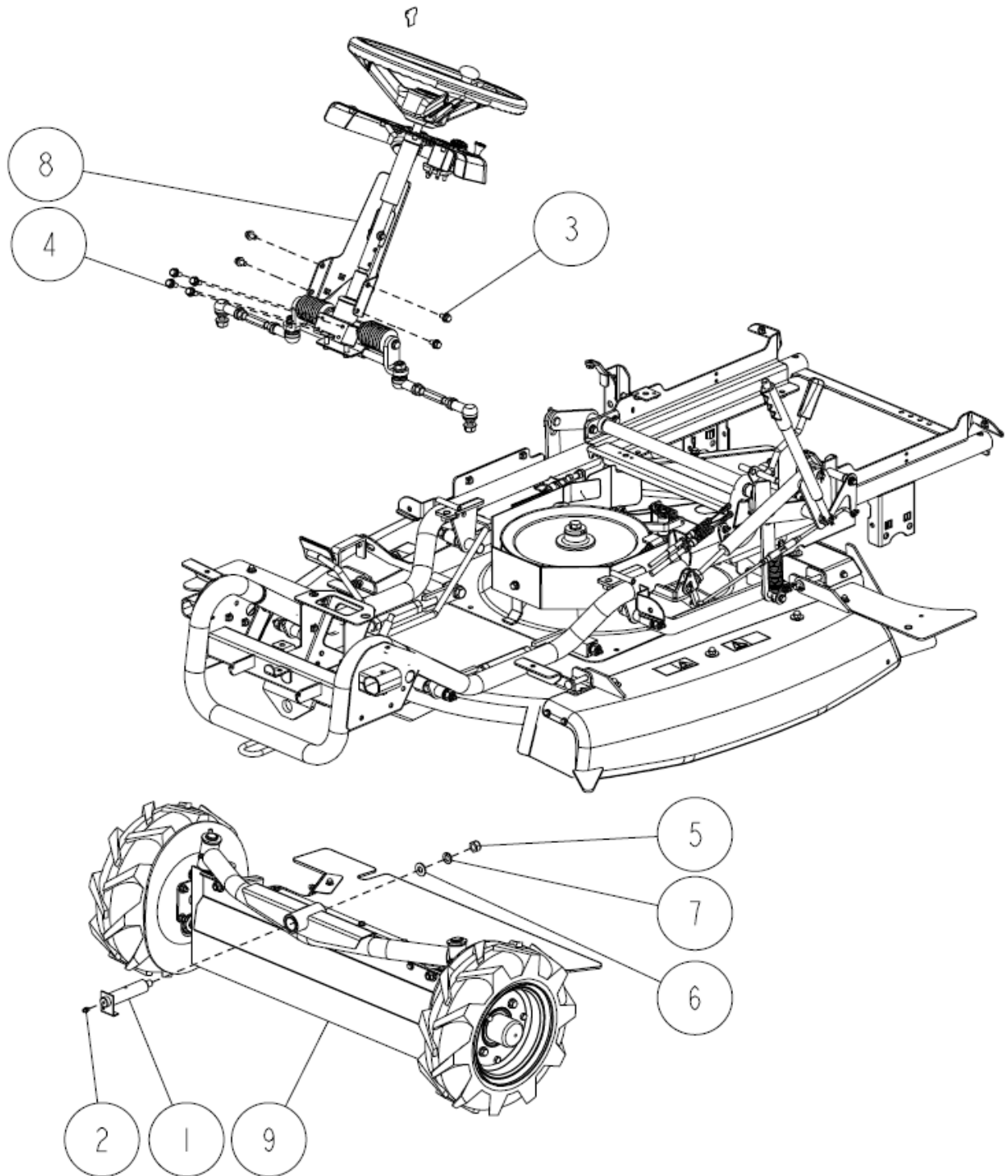
| 20 | 80-1751-407-00 | Wheel Assy 16*700*8 | 2 | |
|------|----------------|----------------------------------|----------|---------|
| 19 | 80-1751-404-00 | Tire Tube 16*700*8 | 2 | |
| 18 | 80-1751-401-00 | Tire 16*700*8 | 2 | |
| 17 | 89-2150-070500 | Key 7*50 (round) | 2 | |
| 16 | 89-2120-350352 | Split Pin 3.5*35 | 2 | |
| 15 | 89-1750-160002 | Spring Washer 16 | 2 | |
| 14 | 89-1750-100002 | Spring Washer 10 | 8 | |
| 13 | 89-1658-160042 | Low Fluted Nut (2 sorts) M16 | 2 | |
| 12 | 89-1631-080042 | Flange Mini Hexagonal Nut M8 | 3 | |
| 11 | 89-1233-080202 | Mini Hexagonal Bolt (PWSW) M8*20 | 1 | |
| 10 | 89-1233-080162 | Mini Hexagonal Bolt (PWSW) M8*16 | 3 | |
| 9 | 89-1113-100252 | Hexagonal Bolt (8T) M10*25 | 8 | |
| 8 | 83-1630-335-00 | Washer 16*40*4.5 | 2 | |
| 7 | 0292-82100 | Rear Belt Cover CMP (R) | 1 | |
| 6 | 0259-60100 | Rear Belt Cover (AV98 CE) | 1 | |
| 5 | 0244-76200 | Wheel Cap (Rear) | 2 | |
| 4 | 0207-77800 | Wheel Boss Dust Seal | 2 | |
| 3 | 0207-31200 | Rear Wheel Boss | 2 | |
| 2 | 80-1751-412-00 | Tire (R) Assy (16*7.00-8) | 1 | |
| 1 | 80-1751-411-00 | Tire (L) Assy (16*7.00-8) | 1 | |
| Ref. | Parts Number | Parts Name | Quantity | Remarks |



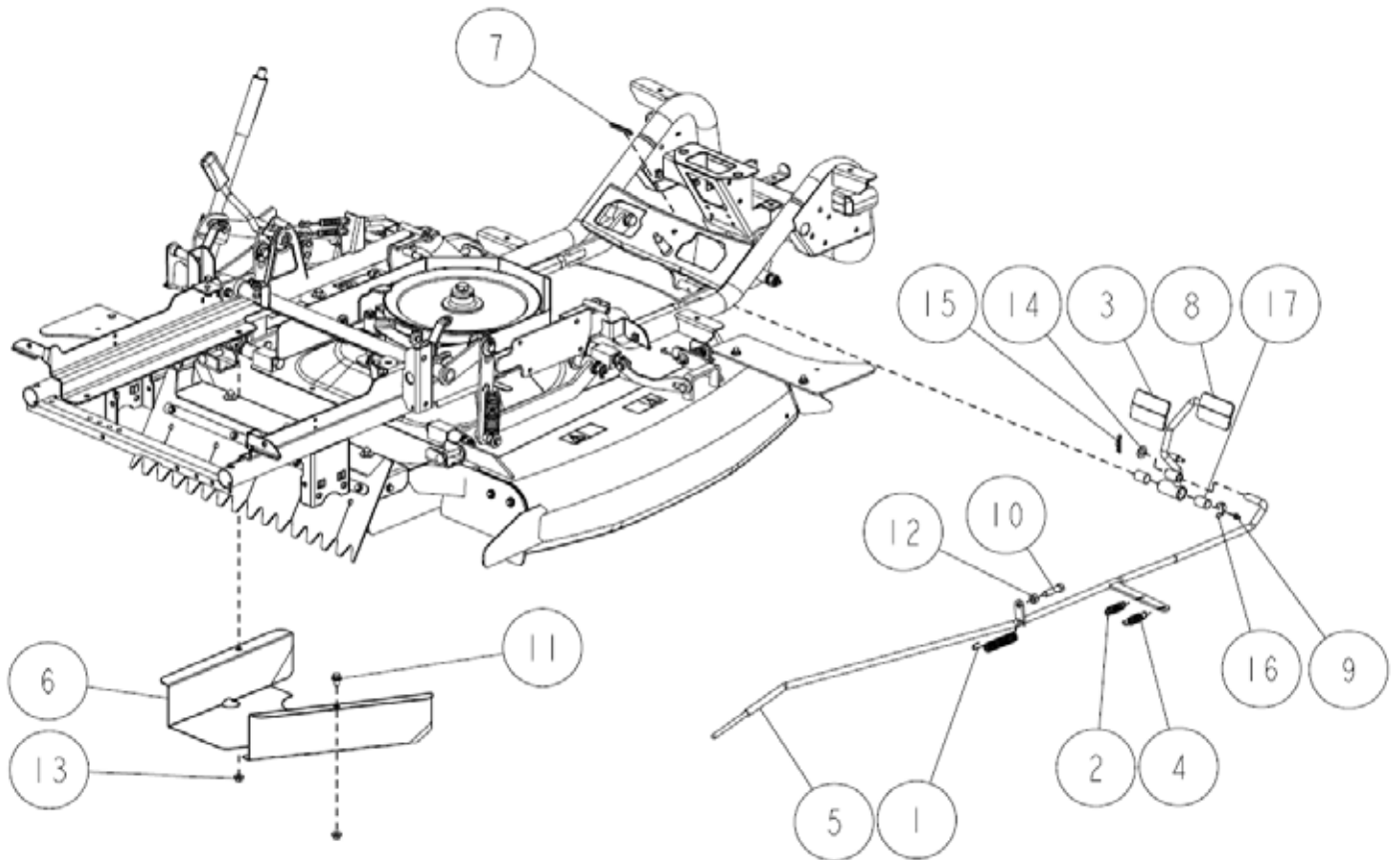
| 15 | 89-2120-200152 | Split Pin 2*15 | 1 | |
|------|----------------|--------------------------------------|----------|---------|
| 14 | 89-1750-080002 | Spring Washer 8 | 1 | |
| 13 | 89-1711-080002 | Flat Washer 8 | 3 | |
| 12 | 89-1631-080042 | Flange Mini Hexagonal Nut M8 | 3 | |
| 11 | 89-1611-080042 | Mini Hexagonal Nut M8 | 1 | |
| 10 | 89-1561-080002 | Mini Hexagonal U Nut M8 | 2 | |
| 9 | 89-1233-080202 | Mini Hexagonal Bolt (PWSW) M8*20 | 2 | |
| 8 | 89-1211-080352 | Mini Hexagonal Bolt M8*35 | 1 | |
| 7 | 0281-09010 | Transmission Assy (with HST) | 1 | |
| 6 | 0281-00400 | Transmission Hunger Stay | 1 | |
| 5 | 0244-83200 | Mini Hexagonal Bolt (PWSW) M10*25 (7 | 4 | |
| 4 | 0207-75400 | Brake Spring 30 | 1 | |
| 3 | 0207-10300 | Brake Joint | 1 | |
| 2 | 0207-07400 | Fan Cover Setting CMP | 1 | |
| 1 | 0207-07200 | Fan Cover CMP | 1 | |
| Ref. | Parts Number | Parts Name | Quantity | Remarks |



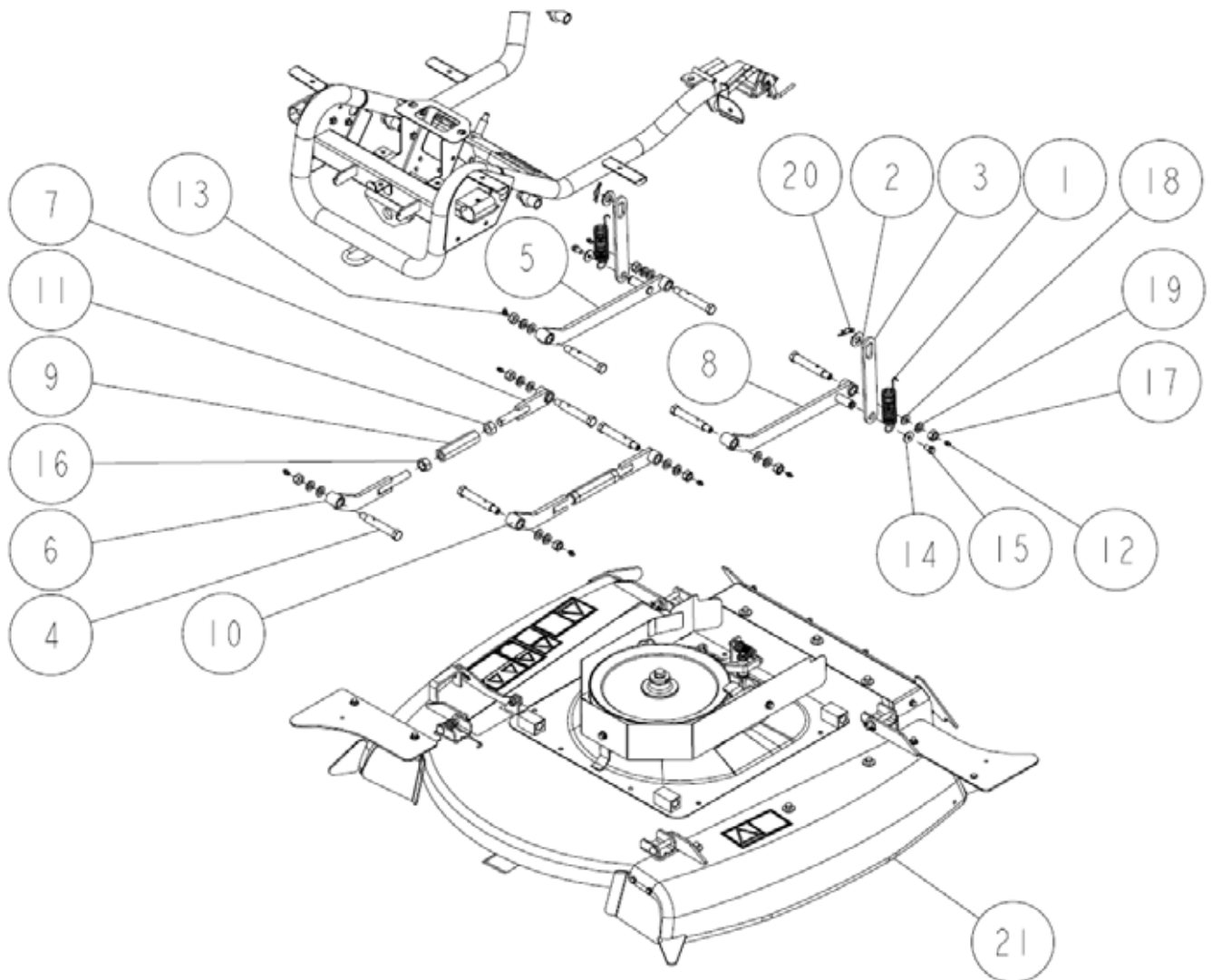
| 20 | 0244-77900 | Fuse Box Cover | 1 | |
|------|----------------|--------------------------------|----------|---------|
| 19 | 0244-70600 | Wire Harness Assy RM97EU (B&S) | 1 | |
| 18 | 89-1551-060002 | Hexagonal U Nut M6 | 1 | |
| 17 | 89-1159-080168 | Truss Mini Screw M8*16 | 3 | |
| 16 | 89-1137-060152 | Hexagonal Bolt (PW) M6*15 | 4 | |
| 15 | 0259-61100 | Battery Carrier CMP | 1 | |
| 14 | 0244-77800 | Leak Hose | 1 | |
| 13 | 0244-76900 | Filter | 1 | |
| 12 | 0244-76800 | Leak Guide | 1 | |
| 11 | 0244-76700 | Fuel Gauge Assy | 1 | |
| 10 | 0244-76600 | Tank Cap Assy | 1 | |
| 9 | 0244-76300 | Wire Clip | 2 | |
| 8 | 0244-75100 | Blind Rivet | 2 | |
| 7 | 0244-73400 | Fuel Tank Bush | 2 | |
| 6 | 0244-72900 | Head Lamp | 2 | |
| 5 | 0244-71500 | Fastener Spring ST-9 | 1 | |
| 4 | 0244-70100 | Fuel Tank | 1 | |
| 3 | 0244-60810 | Battery Setting Stay | 1 | |
| 2 | 80-1483-988-00 | Hose Clip 17 | 1 | |
| 1 | 80-1482-971-00 | Cushion Rubber (Battery) | 1 | |
| Ref. | Parts Number | Parts Name | Quantity | Remarks |



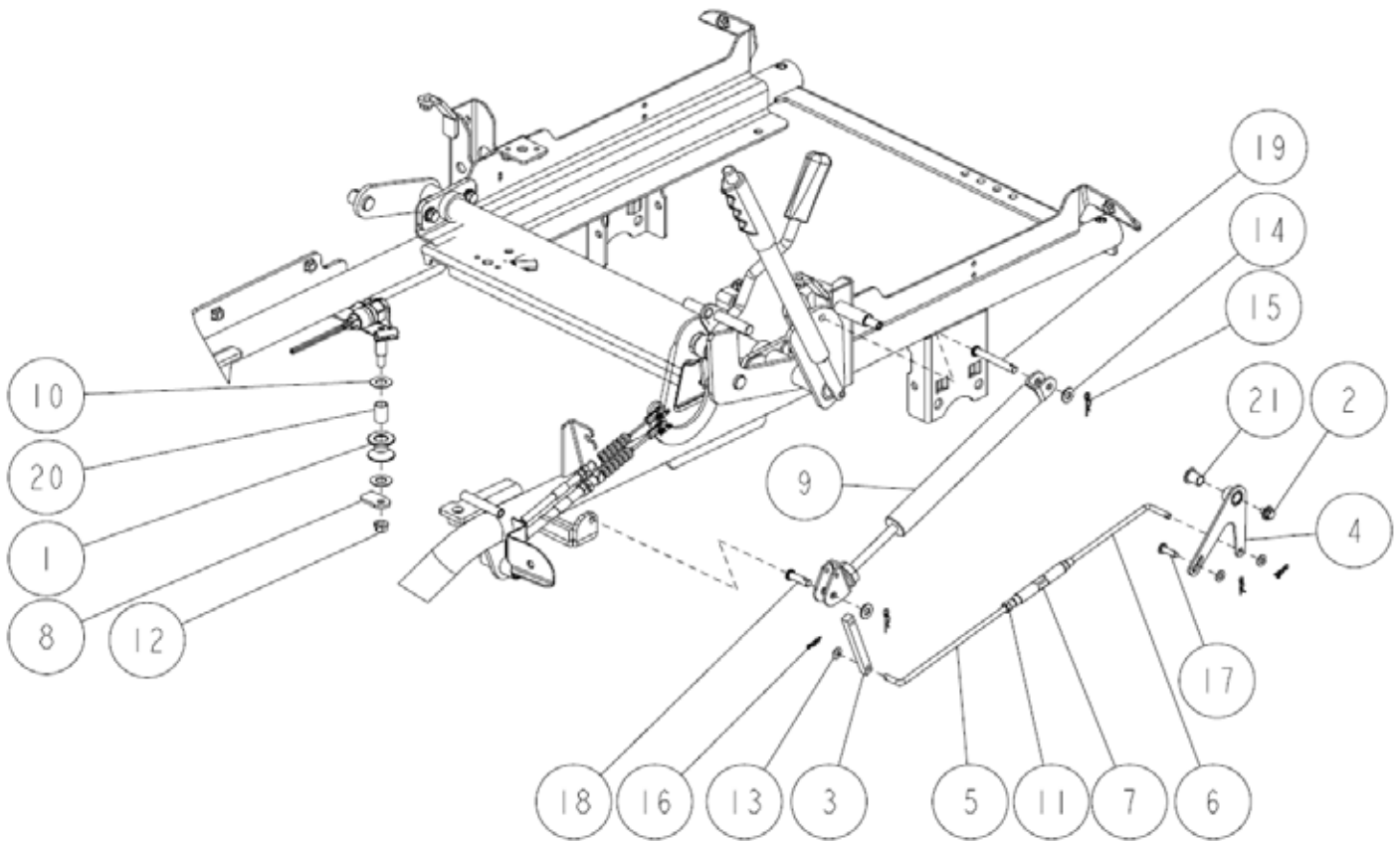
| 9 | - | Front Part | - | Page 27 |
|------|----------------|----------------------------------|----------|---------|
| 8 | - | Handle Part | - | Page 24 |
| 7 | 89-1750-120002 | Spring Washer 12 | 1 | |
| 6 | 89-1713-120002 | Flat Washer 12 (large) | 1 | |
| 5 | 89-1551-120002 | Hexagonal U Nut M12 | 1 | |
| 4 | 89-1233-080202 | Mini Hexagonal Bolt (PWSW) M8*20 | 4 | |
| 3 | 89-1233-080162 | Mini Hexagonal Bolt (PWSW) M8*16 | 4 | |
| 2 | 83-1415-975-00 | Grease Nipple M6 | 1 | |
| 1 | 0207-30700 | Center Pin | 1 | |
| Ref. | Parts Number | Parts Name | Quantity | Remarks |



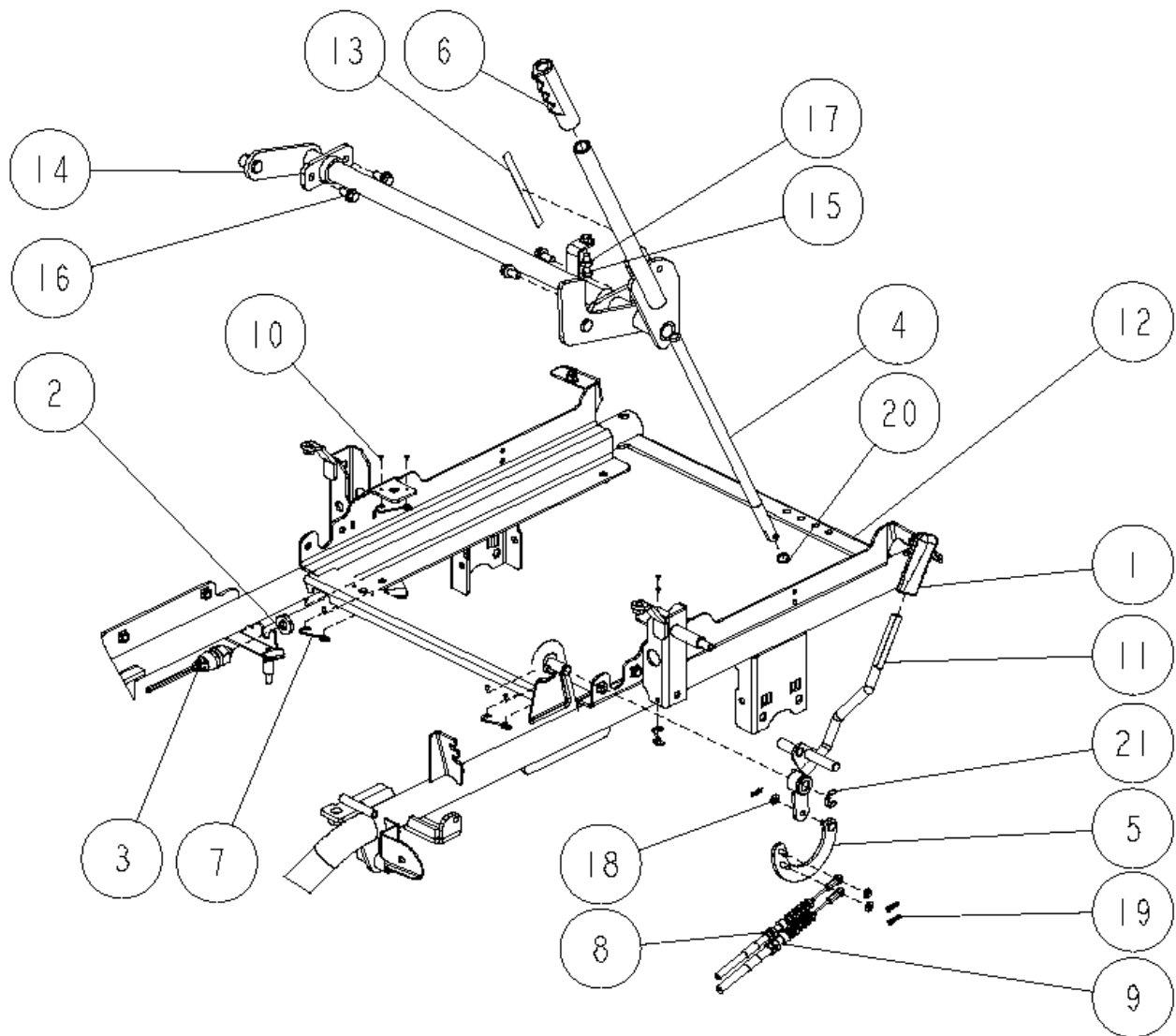
| 17 | 89-3510-016250 | DU Bush 16.25 | 2 | |
|------|----------------|----------------------------------|----------|---------|
| 16 | 89-2521-000150 | E Type Ring 15 | 1 | |
| 15 | 89-2131-120002 | Snap Pin 12 | 1 | |
| 14 | 89-1711-120002 | Flat Washer 12 | 1 | |
| 13 | 89-1631-080042 | Flange Mini Hexagonal Nut M8 | 2 | |
| 12 | 89-1611-100042 | Mini Hexagonal Nut M10 | 1 | |
| 11 | 89-1233-080162 | Mini Hexagonal Bolt (PWSW) M8*16 | 1 | |
| 10 | 89-1213-100357 | Mini Hexagonal Bolt (8T) M10*35 | 1 | |
| 9 | 83-1415-975-00 | Grease Nipple M6 | 1 | |
| 8 | 0292-90100 | Brake Pedal Arm CMP | 1 | |
| 7 | 0289-71100 | Rubber L50 | 1 | |
| 6 | 0259-60210 | Center Belt Cover (AV98 CE) | 1 | |
| 5 | 0244-13600 | Brake Rod CMP | 1 | |
| 4 | 0208-71800 | Spring, Neutral | 1 | |
| 3 | 80-1781-943-00 | Pedal Rubber | 1 | |
| 2 | 80-1614-315-00 | Return Spring | 1 | |
| 1 | 80-1493-354-00 | Rod Return Spring | 1 | |
| Ref. | Parts Number | Parts Name | Quantity | Remarks |



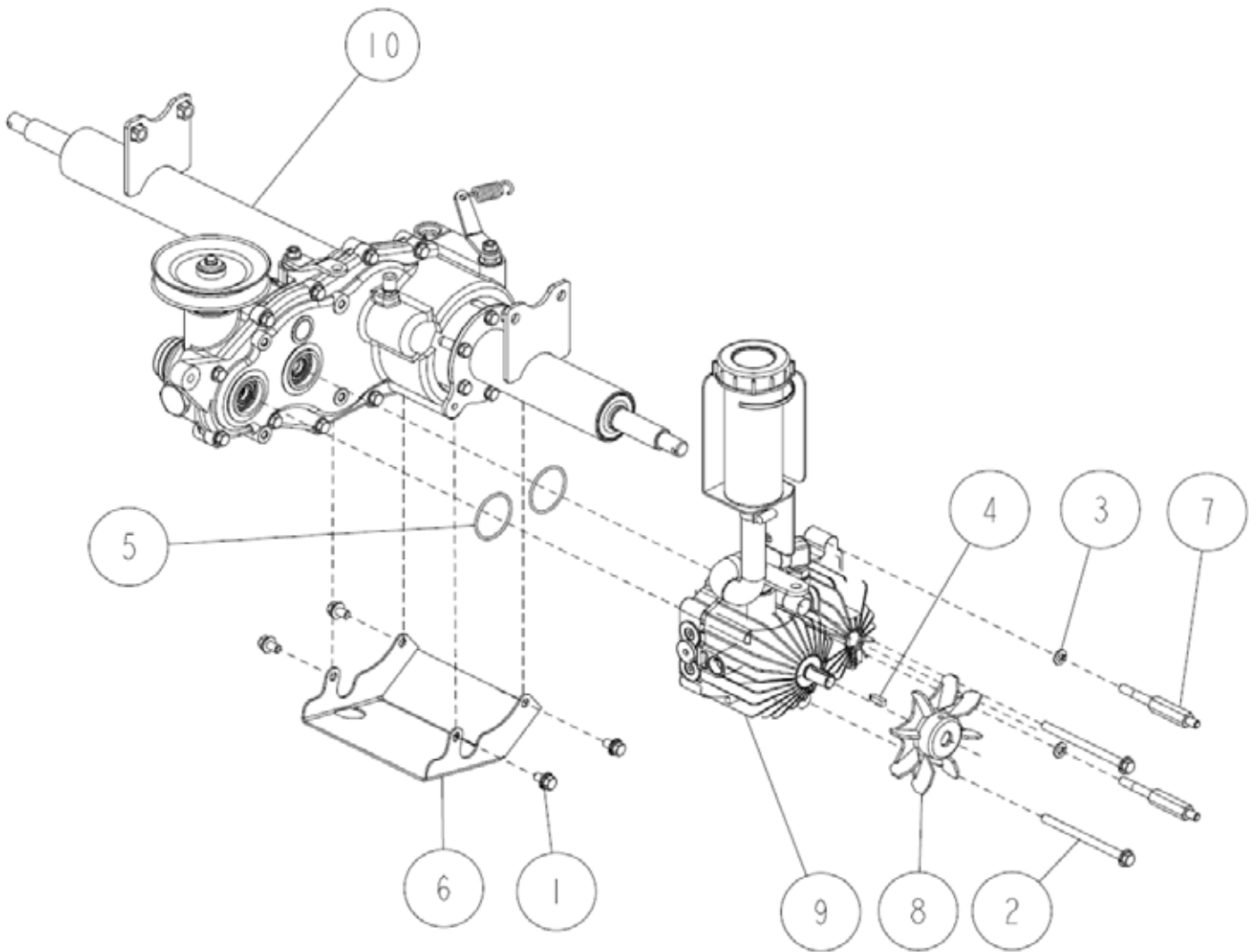
| 21 | - | Cutting Part | - | Page 36 |
|------|----------------|--------------------------------|----------|---------|
| 20 | 89-2131-160002 | Snap Pin 16 | 2 | |
| 19 | 89-1750-120002 | Spring Washer 12 | 8 | |
| 18 | 89-1711-120002 | Flat Washer 12 | 8 | |
| 17 | 89-1551-120002 | Hexagonal U Nut M12 | 8 | |
| 16 | 89-1511-160042 | Hexagonal Nut M16 | 2 | |
| 15 | 89-1232-080162 | Mini Hexagonal Bolt (SW) M8*16 | 2 | |
| 14 | 83-1751-311-00 | Flat Washer 8*25*2.3 | 2 | |
| 13 | 83-1515-975-00 | Grease Nipple C-Type M6 | 1 | |
| 12 | 83-1415-975-00 | Grease Nipple M6 | 7 | |
| 11 | 0255-70200 | Hexagonal Nut M16(L) | 2 | |
| 10 | 0255-50800 | Front Link Arm L CMP | 1 | |
| 9 | 0255-50600 | Link Arm Adjuster | 2 | |
| 8 | 0255-50400 | Rear Link Arm L CMP | 1 | |
| 7 | 0255-50300 | Front Link Arm B CMP | 2 | |
| 6 | 0255-50200 | Front Link Arm R CMP | 1 | |
| 5 | 0255-50100 | Rear Link Arm R CMP | 1 | |
| 4 | 0244-52200 | Link Bolt | 8 | |
| 3 | 0244-10400 | Connecting Plate | 2 | |
| 2 | 0207-76800 | Washer 16*32*2.3 | 2 | |
| 1 | 0207-76200 | Spring (Up/Down) | 2 | |
| Ref. | Parts Number | Parts Name | Quantity | Remarks |



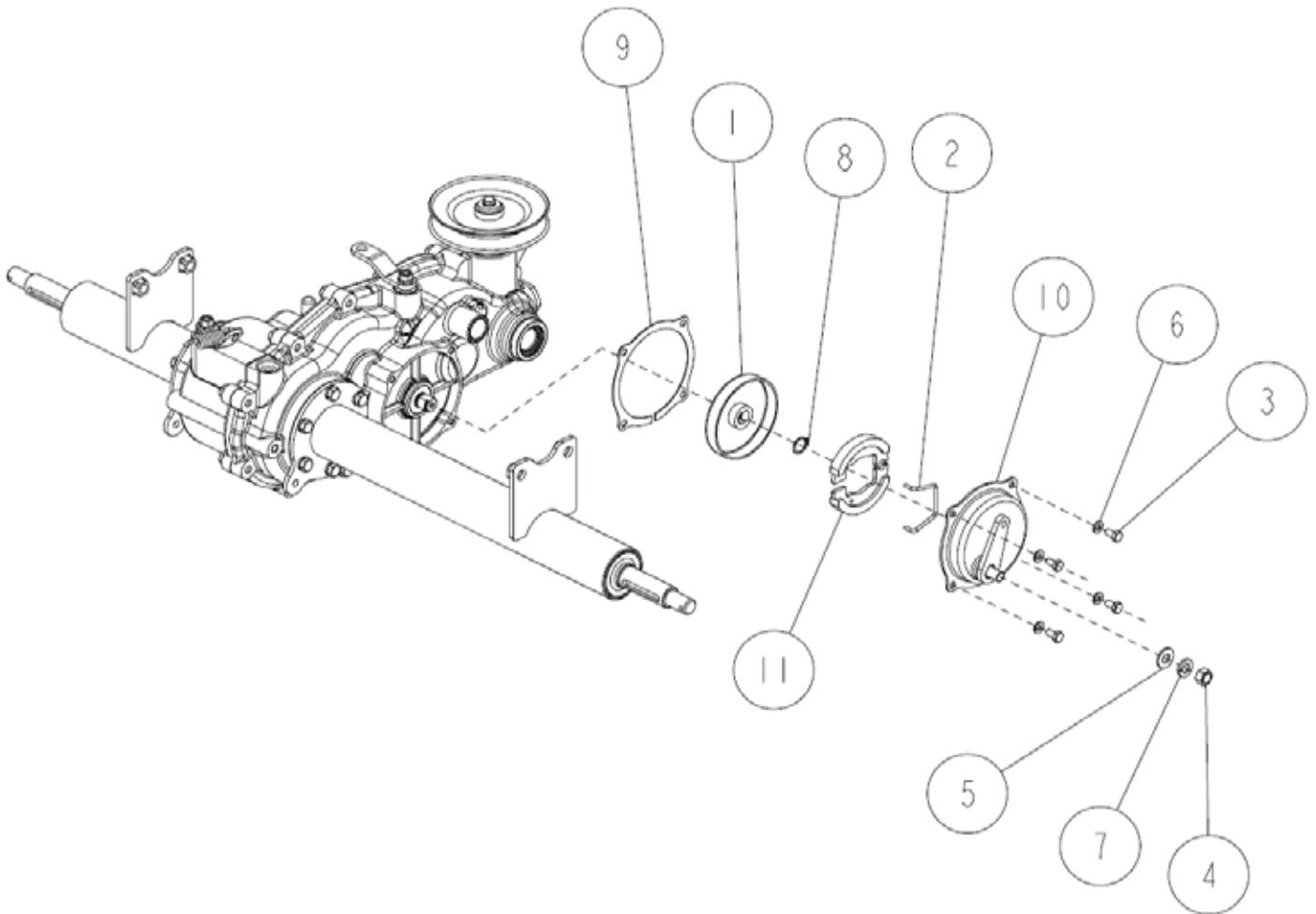
| 21 | 89-3511-010150 | DU Bush 10.15.18F | 1 | |
|------|----------------|-------------------------------------|----------|---------|
| 20 | 89-3510-012200 | DU Bush 12.20 | 1 | |
| 19 | 89-2181-080602 | Flat Head Pin 8*60 | 1 | |
| 18 | 89-2181-080282 | Flat Head Pin 8*28 | 1 | |
| 17 | 89-2181-060202 | Flat Head Pin 6*20 | 1 | |
| 16 | 89-2132-060002 | Snap Pin 6 (with stopper) | 3 | |
| 15 | 89-2131-080002 | Snap Pin 8 | 2 | |
| 14 | 89-1711-080002 | Flat Washer 8 | 2 | |
| 13 | 89-1711-060002 | Flat Washer 6 | 3 | |
| 12 | 89-1543-080002 | Mini Hexagonal Nut (SW) M8 | 1 | |
| 11 | 89-1511-060042 | Hexagonal Nut M6 | 1 | |
| 10 | 83-1020-355-00 | Thrust Washer 12*24*1.0 | 2 | |
| 9 | 0255-70100 | Gas Spring Free Lock Type(FLC75-35) | 1 | |
| 8 | 0244-22600 | Brake Rod Hung Plate | 1 | |
| 7 | 0244-11600 | Turn Buckle (Pipe Type) | 1 | |
| 6 | 0244-11500 | Adjuster Rod (L) | 1 | |
| 5 | 0244-11400 | Adjuster Rod (R) | 1 | |
| 4 | 0244-11300 | Push Rod Receiver CMP | 1 | |
| 3 | 0244-10500 | Lock Pusher | 1 | |
| 2 | 0208-72700 | Hexagonal Bolt (PW Large,SW) M6*12 | 1 | |
| 1 | 80-1484-354-10 | Brake Rod Roller | 1 | |
| Ref. | Parts Number | Parts Name | Quantity | Remarks |



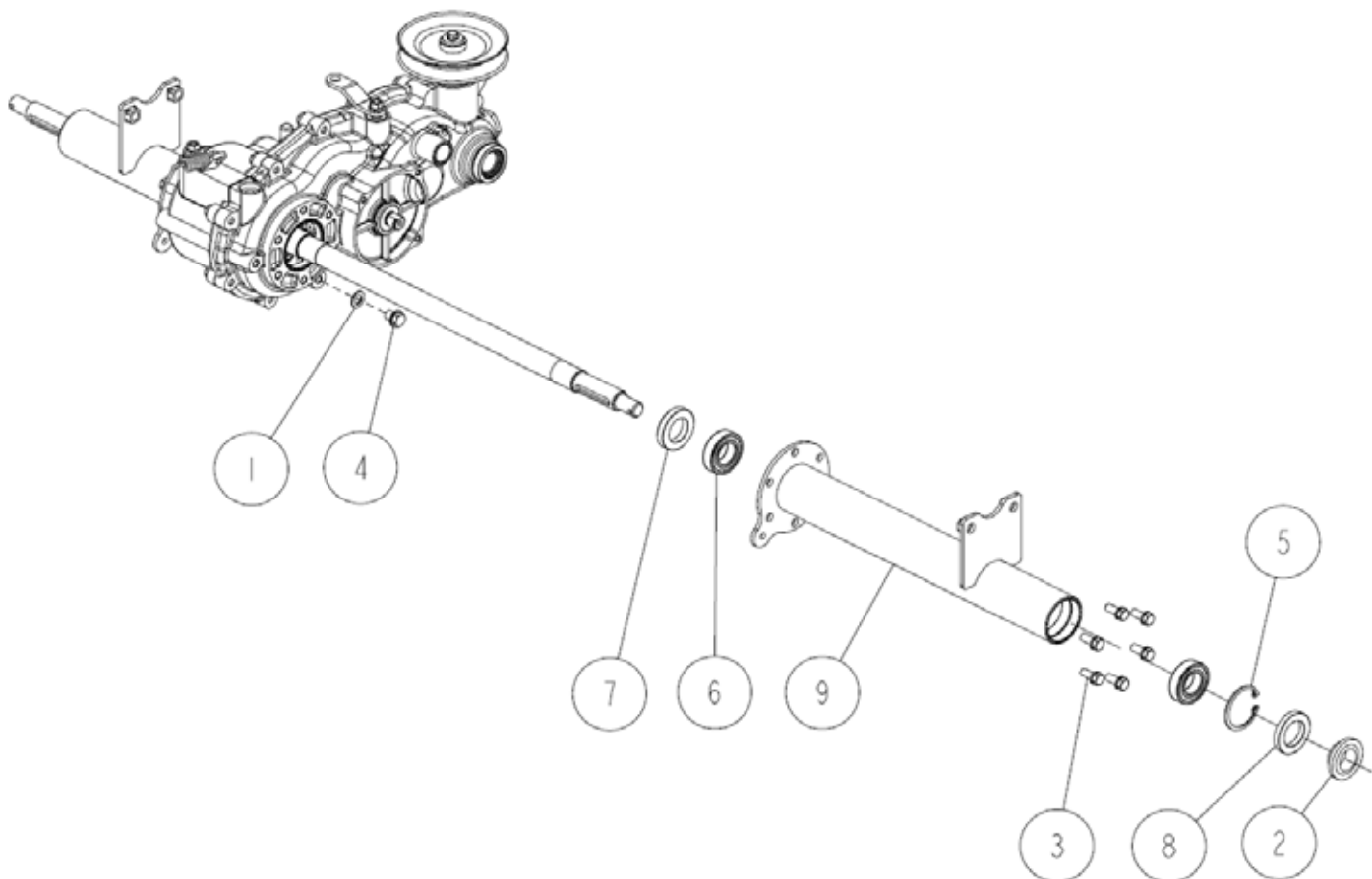
| 21 | 89-2521-000120 | E Type Ring 12 | 1 | |
|------|----------------|----------------------------------|----------|---------|
| 20 | 89-2511-000130 | Snap Ring (S13) | 1 | |
| 19 | 89-2132-060002 | Snap Pin 6 (with stopper) | 3 | |
| 18 | 89-1711-060002 | Flat Washer 6 | 3 | |
| 17 | 89-1611-080042 | Mini Hexagonal Nut M8 | 1 | |
| 16 | 89-1233-080202 | Mini Hexagonal Bolt (PWSW) M8*20 | 4 | |
| 15 | 89-1211-080252 | Mini Hexagonal Bolt M8*25 | 1 | |
| 14 | 0262-10100 | Up/Down Adjusting Shaft CMP | 1 | |
| 13 | 0259-80700 | Label, Cutting Height Line | 1 | |
| 12 | 0292-91100 | Frame CMP (97FB) | 1 | |
| 11 | 0259-14310 | Knife Clutch Lever | 1 | |
| 10 | 0244-75100 | Blind Rivet | 8 | |
| 9 | 0244-72300 | Cutting Clutch Wire | 1 | |
| 8 | 0244-72200 | Knife Brake Wire | 1 | |
| 7 | 0244-71500 | Fastener Spring ST-9 | 4 | |
| 6 | 0244-70200 | Adjusting Shaft Grip | 1 | |
| 5 | 0244-13700 | Wire Joint CMP | 1 | |
| 4 | 0244-11200 | Push Rod | 1 | |
| 3 | 0207-74400 | Safety Switch K17850 | 1 | |
| 2 | 0207-72800 | Switch Lock Nut | 1 | |
| 1 | 80-1484-262-00 | Arm Grip (Red) | 1 | |
| Ref. | Parts Number | Parts Name | Quantity | Remarks |



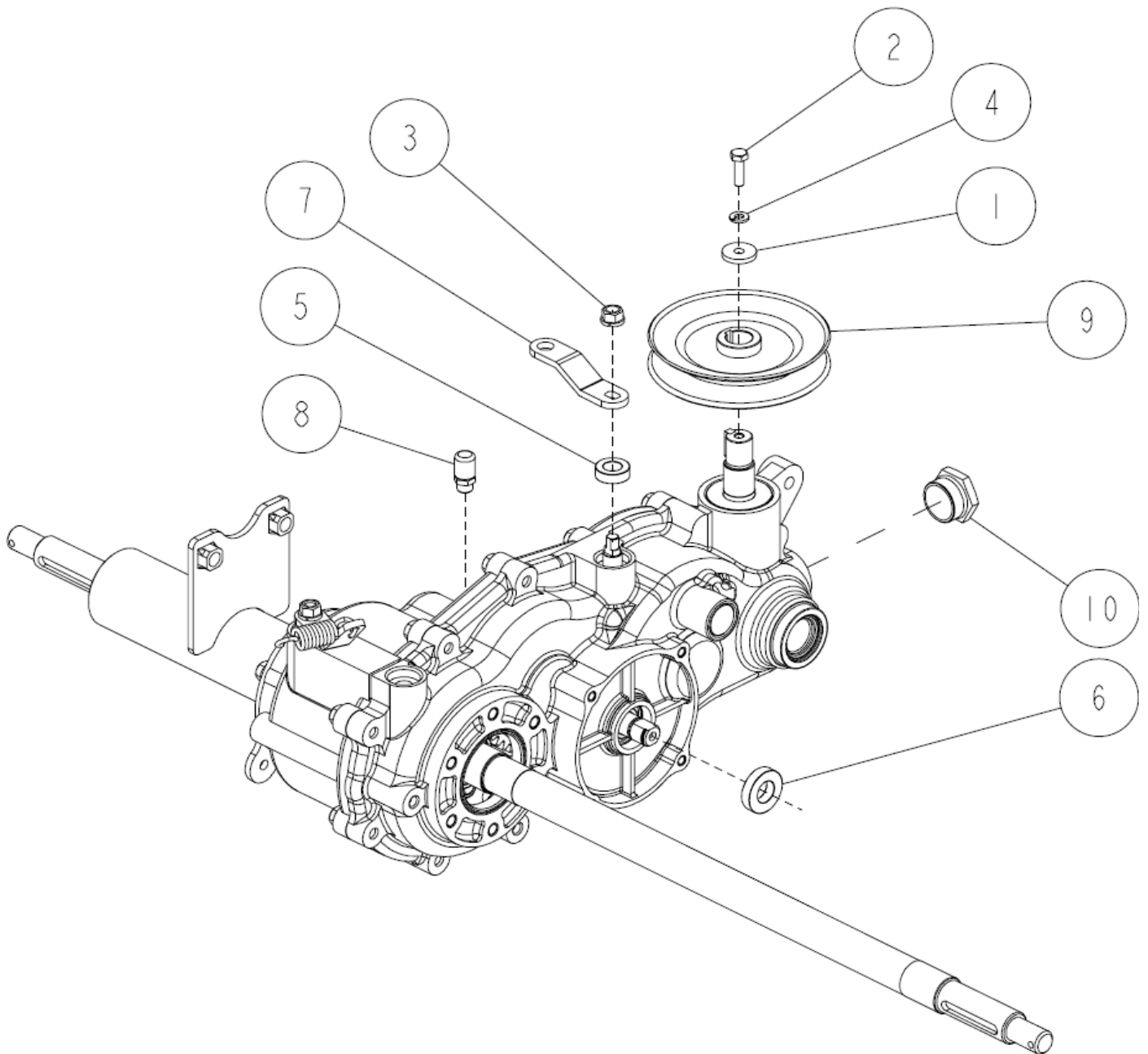
| 10 | 0281-09110 | Transmission Assy (without HST) | - | |
|------|----------------|-----------------------------------|----------|---------|
| 9 | 0244-09200 | HST Unit Assy | - | |
| 8 | 0207-07500 | Fan | 1 | |
| 7 | 0207-07300 | Double Spring Bolt | 2 | |
| 6 | 0207-03100 | Mission Guard CMP | 1 | |
| 5 | 89-5222-045000 | O Ring G45 | 2 | |
| 4 | 89-2150-050200 | Key 5*20 (round) | 1 | |
| 3 | 89-1750-080002 | Spring Washer 8 | 2 | |
| 2 | 89-1251-081123 | Flange Mini Hexagonal Bolt M8*112 | 2 | |
| 1 | 89-1239-080162 | Mini Hexagonal Bolt (PWSW) M8*16 | 4 | |
| Ref. | Parts Number | Parts Name | Quantity | Remarks |



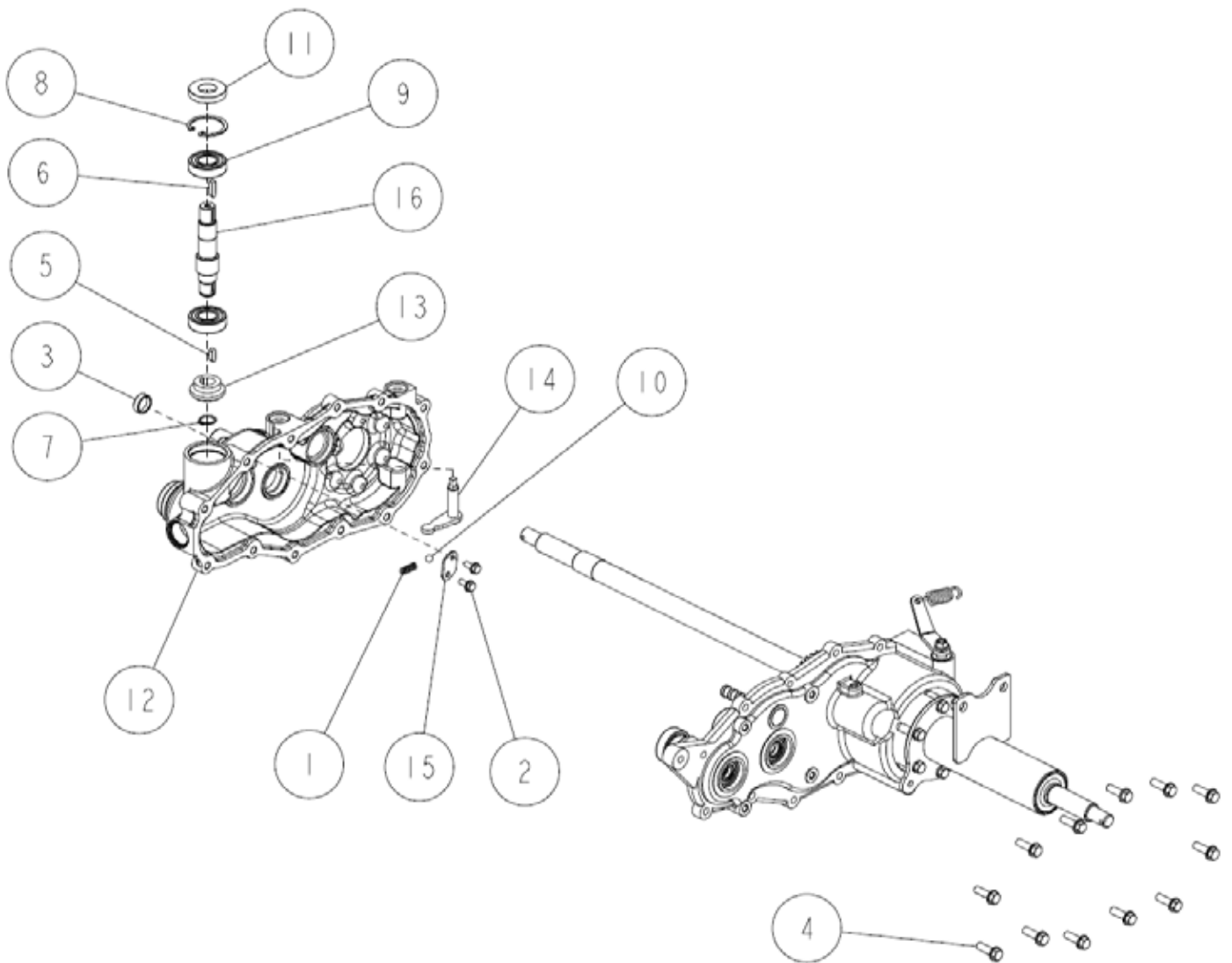
| 1.2.8.9.10.11 | 0207-73000 | Brake Assy | - | |
|---------------|----------------|------------------------------|----------|---------|
| 11 | 0244-88100 | Brake Shoe Set (PA-7) | 1 | |
| 2.10.11 | 0207-73200 | Brake Cap Assy | 1 | |
| 9 | 0207-04100 | Brake Cover PK (PA-7) | 1 | |
| 8 | 89-2511-000150 | Snap Ring (S15) | 1 | |
| 7 | 89-1750-100002 | Spring Washer 10 | 1 | |
| 6 | 89-1750-060002 | Spring Washer 6 | 4 | |
| 5 | 89-1714-100002 | Flat Washer 10 | 1 | |
| 4 | 89-1611-100042 | Mini Hexagonal Nut M10 | 1 | |
| 3 | 89-1113-060122 | Hexagonal Bolt (8T) M6*12 | 4 | |
| 2 | 80-1030-285-00 | Spring for Brake Shoe Return | 1 | |
| 1 | 80-1030-282-00 | Brake Drum (PA-7) | 1 | |
| Ref. | Parts Number | Parts Name | Quantity | Remarks |



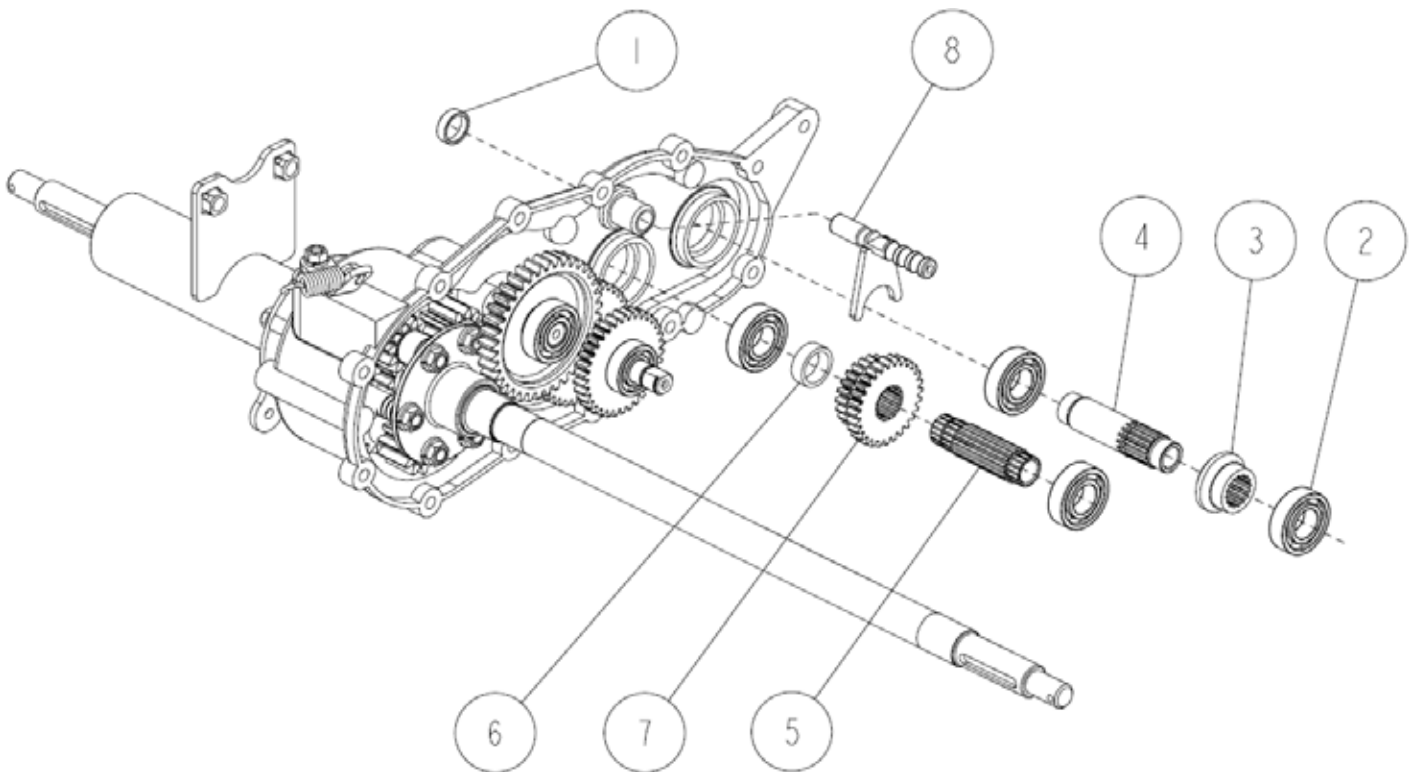
| 9 | 0281-00100 | Axle Case CMP (L) | 1 | |
|------|----------------|---|----------|---------|
| 8 | 89-5121-304707 | Oil Seal UE 30.47.7 | 1 | |
| 7 | 89-5121-284708 | Oil Seal UE 28.47.8 | 1 | |
| 6 | 89-3115-060054 | Bearing 6005 2RS | 2 | |
| 5 | 89-2512-000470 | Snap Ring (R47) | 1 | |
| 4 | 89-1252-100122 | Flange Mini Hexagonal Bolt M10*12 (slotted) | 1 | |
| 3 | 89-1232-080202 | Mini Hexagonal Bolt (SW) M8*20 | 6 | |
| 2 | 83-1415-663-00 | Oil Seal AP 30.47.7 | 1 | |
| 1 | 83-1020-349-00 | Copper Packing 10.5*18*1.6 | 1 | |
| Ref. | Parts Number | Parts Name | Quantity | Remarks |



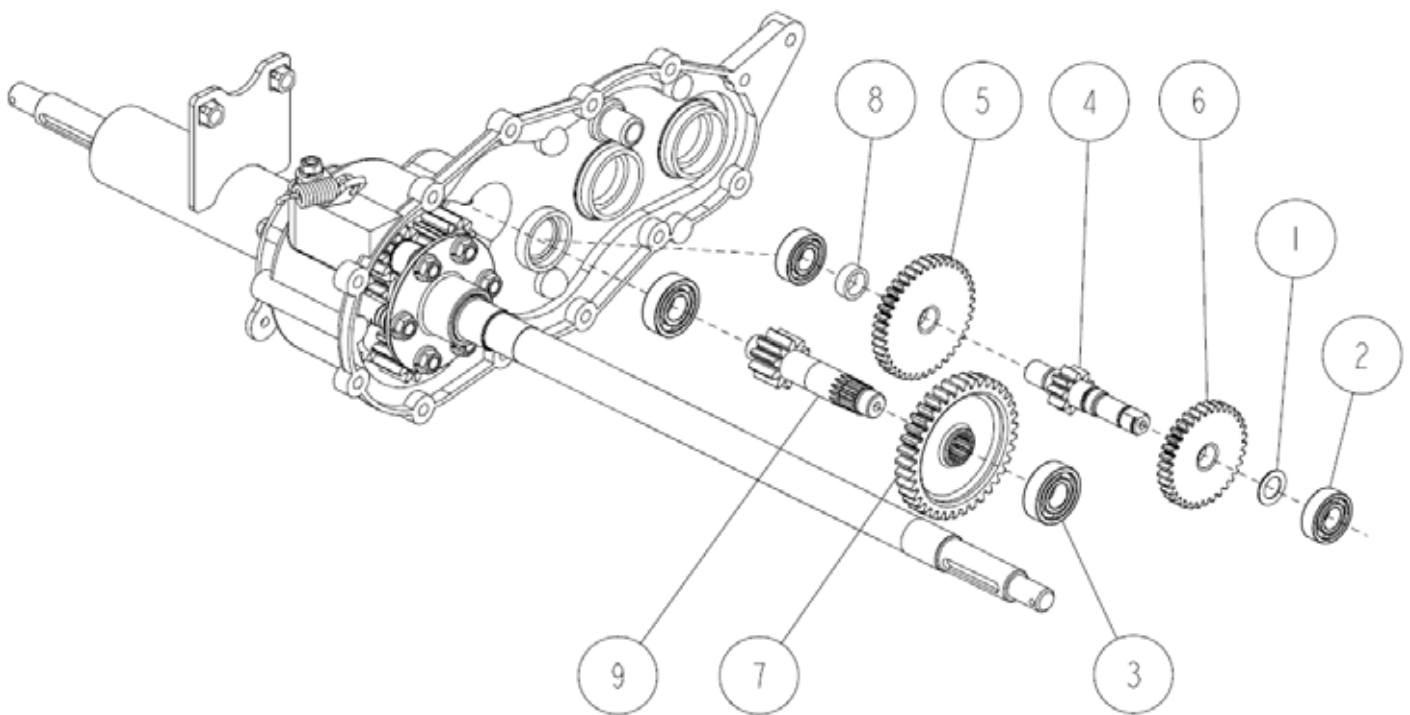
| 10 | 0289-01000 | Oil Plug Assy (with O Ring) | 1 | |
|------|----------------|-----------------------------|----------|---------|
| 9 | 0284-40200 | Transmission Pulley(HI) | 1 | |
| 8 | 0207-06100 | Air Bleazer | 1 | |
| 7 | 0207-02500 | Sub Change Arm | 1 | |
| 6 | 89-5121-153007 | Oil Seal UE 15.30.7 | 1 | |
| 5 | 89-5121-122207 | Oil Seal UE 12.22.7 | 1 | |
| 4 | 89-1750-060002 | Spring Washer 6 | 1 | |
| 3 | 89-1543-080002 | Mini Hexagonal Nut (SW) M8 | 1 | |
| 2 | 89-1113-060202 | Hexagonal Bolt (8T) M6*20 | 1 | |
| 1 | 83-1482-311-00 | Washer 6.5*22*3.2 | 1 | |
| Ref. | Parts Number | Parts Name | Quantity | Remarks |



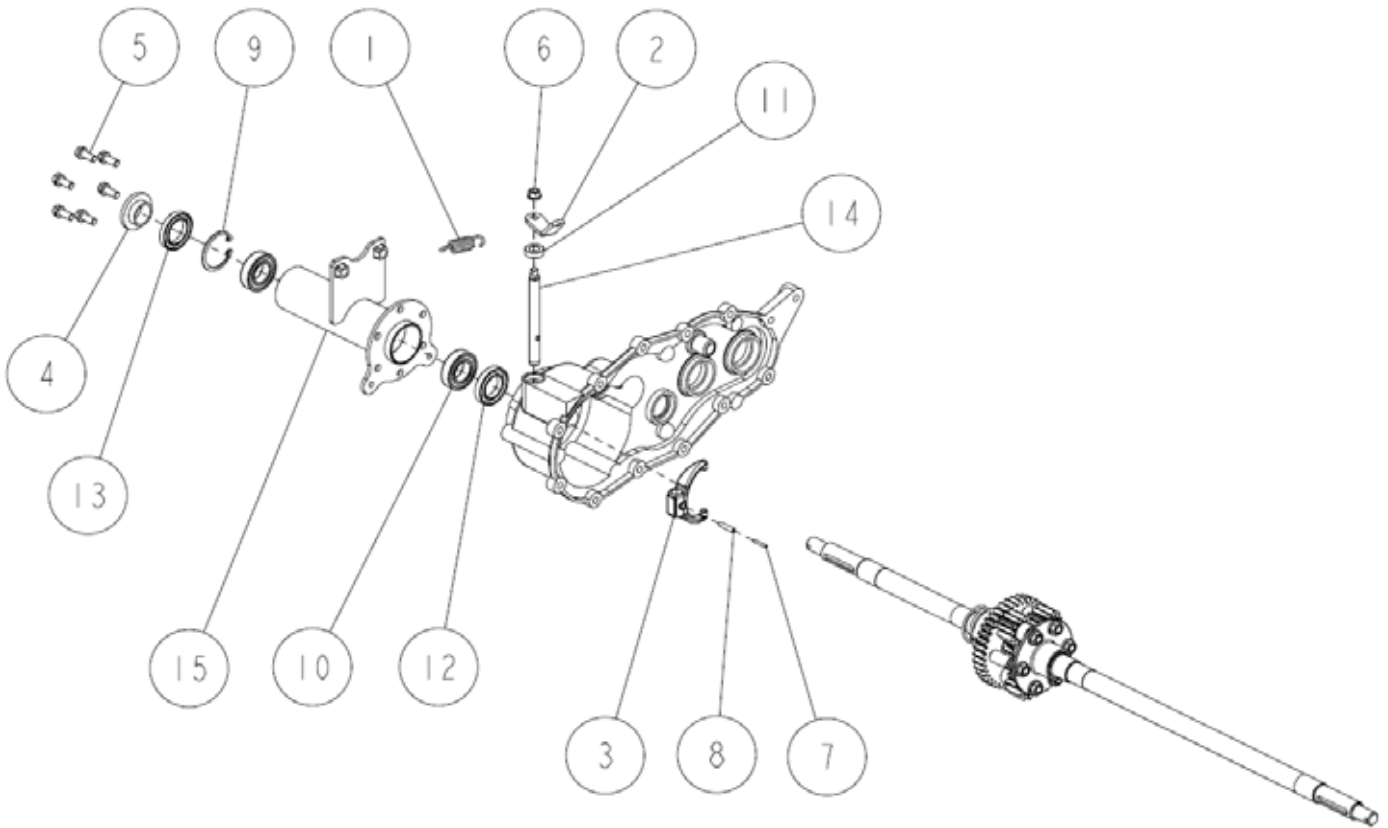
| 16 | 0281-00300 | A Axle | 1 | |
|------|----------------|-------------------------|----------|---------|
| 15 | 0207-01900 | Shift Spring Holder | 1 | |
| 14 | 0207-01700 | Swing Arm CMP | 1 | |
| 13 | 0207-00400 | 20T Spiral Mita Gear(L) | 1 | |
| 12 | 0207-00100 | Transmission Case(L) | 1 | |
| 11 | 89-5121-204208 | Oil Seal UE 20.42.8 | 1 | |
| 10 | 89-3410-080000 | Steel Ball 8.0 | 1 | |
| 9 | 89-3115-060044 | Bearing 6004 2RS | 2 | |
| 8 | 89-2512-000420 | Snap Ring (R42) | 1 | |
| 7 | 89-2511-000170 | Snap Ring (S17) | 1 | |
| 6 | 89-2151-050200 | Key 5*20 (half round) | 1 | |
| 5 | 89-2150-050160 | Key 5*16 (round) | 1 | |
| 4 | 83-1482-143-00 | Tapping Bolt M8*25 | 12 | |
| 3 | 83-1415-671-00 | Blind Cover 22 | 1 | |
| 2 | 83-1020-148-00 | Tapping Bolt M6*14 | 2 | |
| 1 | 80-1310-138-00 | Spring 1.4 | 1 | |
| Ref. | Parts Number | Parts Name | Quantity | Remarks |



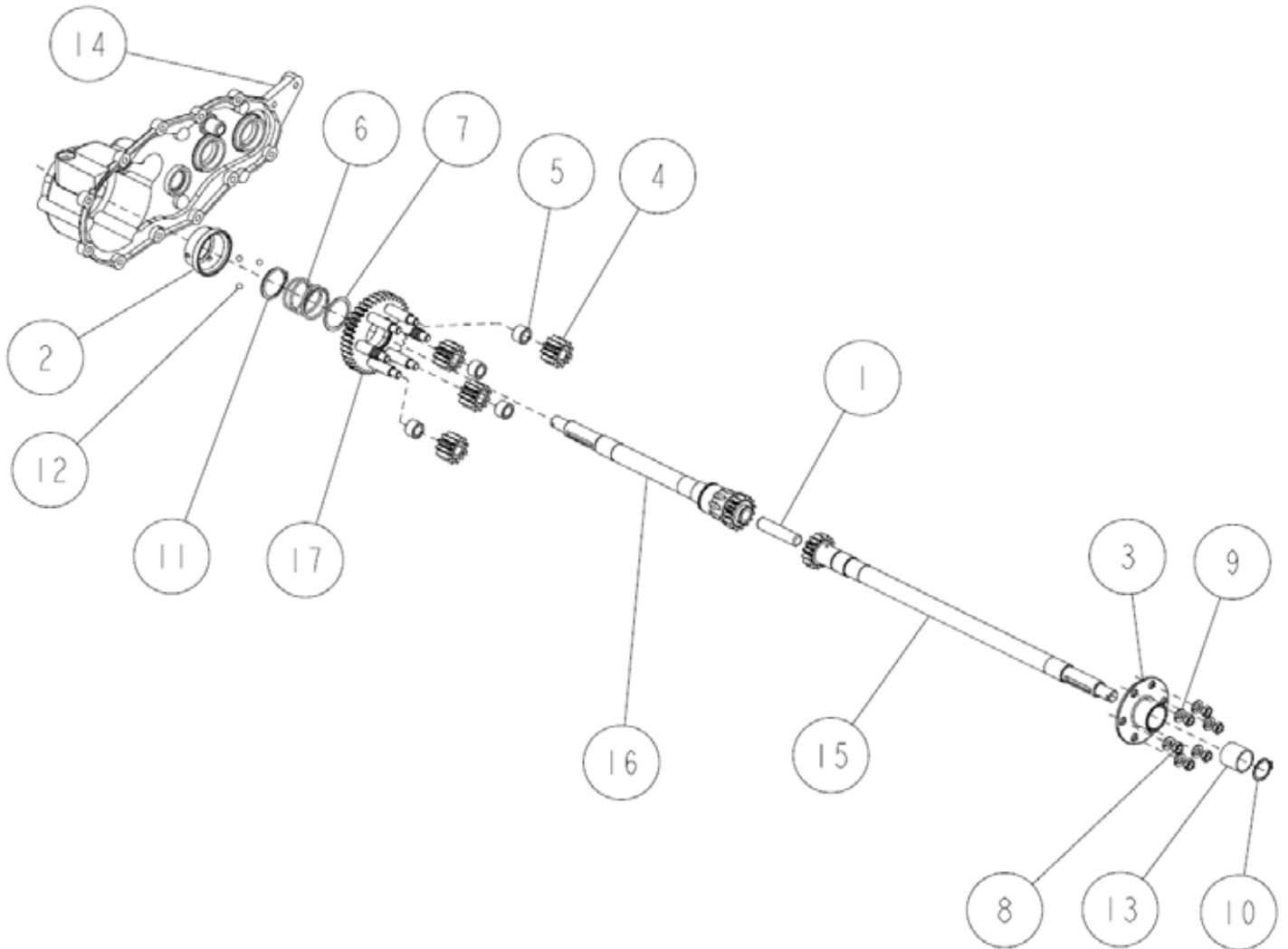
| 8 | 0207-01600 | Shift Fork Shaft CMP | 1 | |
|------|----------------|-------------------------|----------|---------|
| 7 | 0207-00910 | Shift Gear 22-28 | 1 | |
| 6 | 0207-00800 | C Axle Collar 9 | 1 | |
| 5 | 0207-00700 | C Axle | 1 | |
| 4 | 0207-00600 | B Axle | 1 | |
| 3 | 0207-00500 | 20T Spiral Mita Gear(R) | 1 | |
| 2 | 89-3111-060044 | Bearing 6004 | 4 | |
| 1 | 83-1415-671-00 | Blind Cover 22 | 1 | |
| Ref. | Parts Number | Parts Name | Quantity | Remarks |



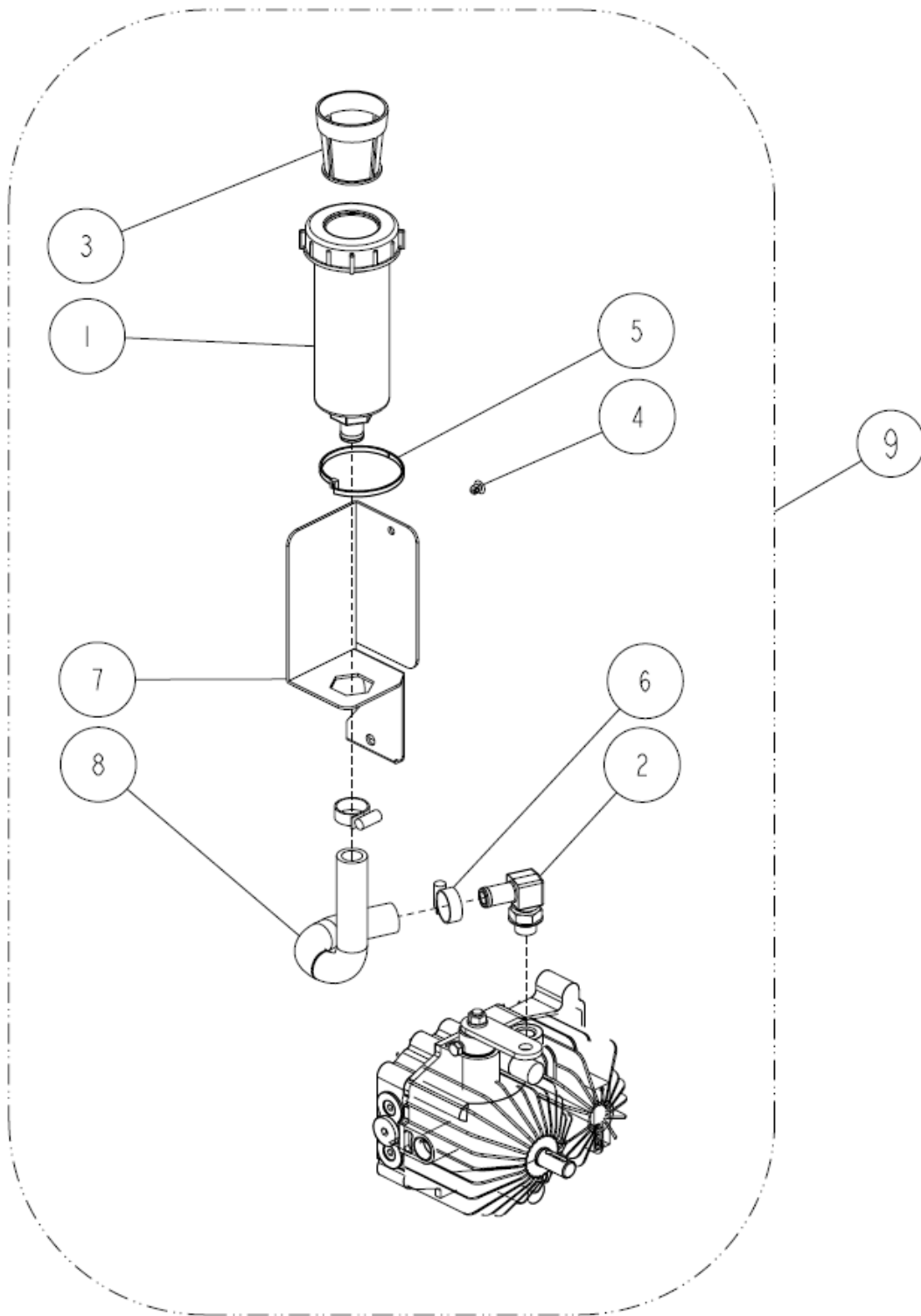
| 9 | 0244-00400 | D Axle | 1 | |
|------|----------------|-------------------------|----------|---------|
| 8 | 0207-01500 | Brake Shaft Collar 8 | 1 | |
| 7 | 0207-01400 | D Axle 37T Gear | 1 | |
| 6 | 0207-01310 | Brake Shaft 34T Gear | 1 | |
| 5 | 0207-01210 | Brake Shaft 40T Gear | 1 | |
| 4 | 0207-01100 | Brake Shaft | 1 | |
| 3 | 89-3111-062034 | Bearing 6203 | 2 | |
| 2 | 89-3111-062024 | Bearing 6202 | 2 | |
| 1 | 83-1020-361-00 | Thrust Washer 15*24*1.0 | 1 | |
| Ref. | Parts Number | Parts Name | Quantity | Remarks |



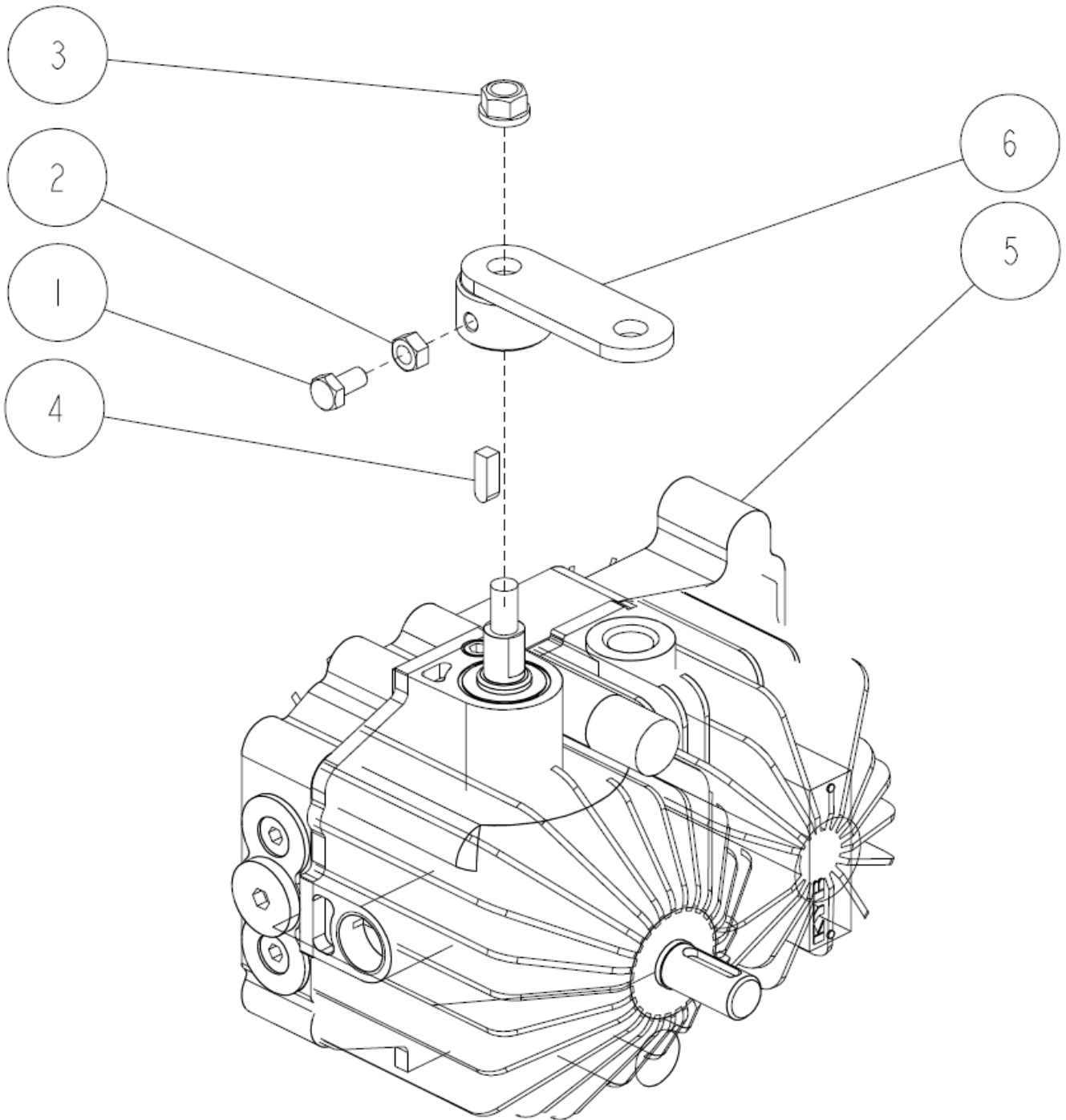
| 15 | 0281-00200 | Axle Case CMP (R) | 1 | |
|------|----------------|--------------------------------|----------|---------|
| 14 | 0207-01800 | Differential Lock Fork Shaft | 1 | |
| 13 | 89-5121-304707 | Oil Seal UE 30.47.7 | 1 | |
| 12 | 89-5121-284708 | Oil Seal UE 28.47.8 | 1 | |
| 11 | 89-5121-122207 | Oil Seal UE 12.22.7 | 1 | |
| 10 | 89-3115-060054 | Bearing 6005 2RS | 2 | |
| 9 | 89-2512-000470 | Snap Ring (R47) | 1 | |
| 8 | 89-2111-050022 | Spring Pin 5*22 | 1 | |
| 7 | 89-2111-030020 | Spring Pin 3*20 | 1 | |
| 6 | 89-1543-080002 | Mini Hexagonal Nut (SW) M8 | 1 | |
| 5 | 89-1232-080202 | Mini Hexagonal Bolt (SW) M8*20 | 6 | |
| 4 | 83-1415-663-00 | Oil Seal AP 30.47.7 | 1 | |
| 3 | 80-1830-113-00 | Differential Lock Fork | 1 | |
| 2 | 80-1488-153-00 | Differential Lock Arm | 1 | |
| 1 | 80-1425-551-00 | Differential Lock Spring | 1 | |
| Ref. | Parts Number | Parts Name | Quantity | Remarks |



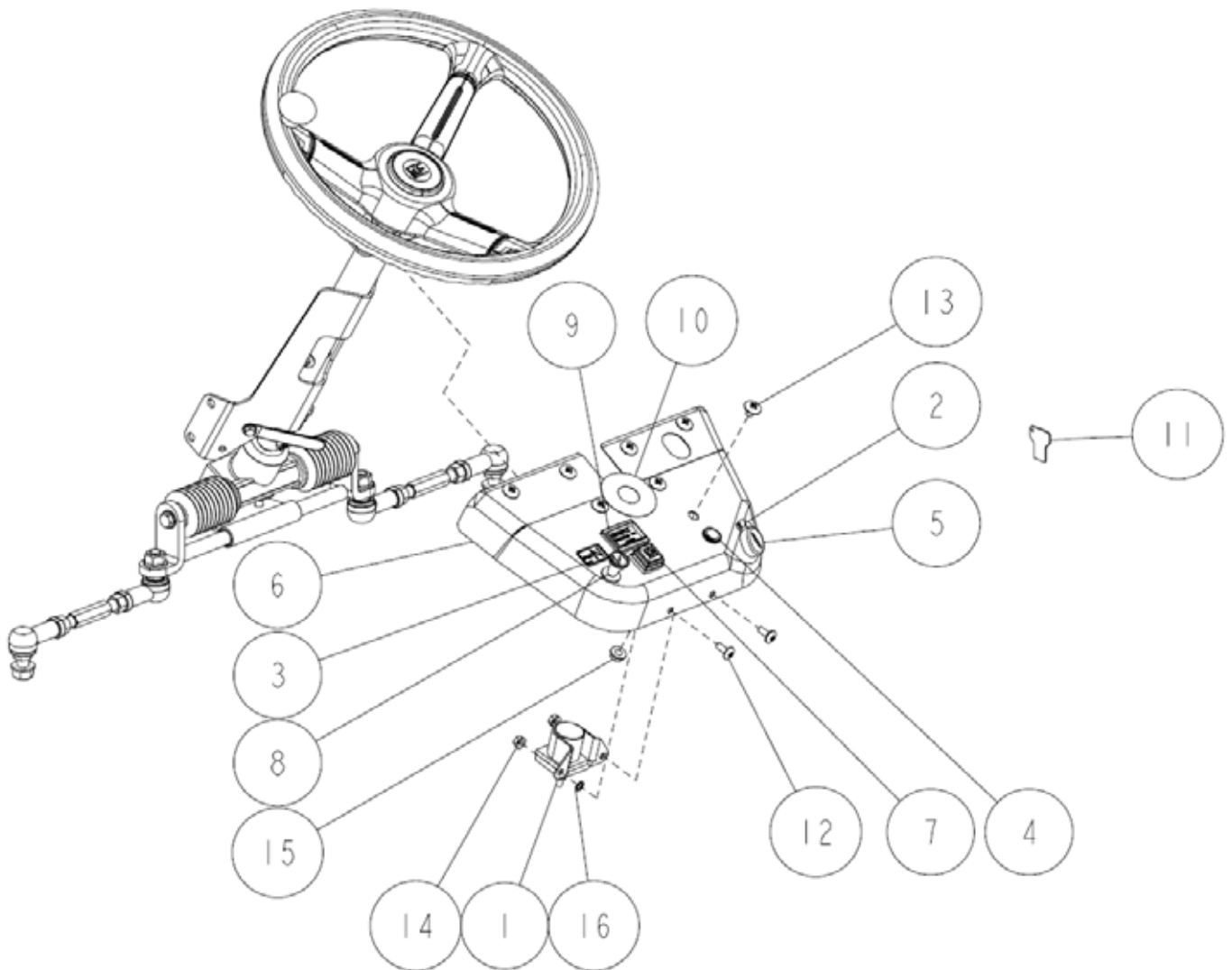
| 17 | 0244-00300 | Axle Gear 39T CMP | 1 | |
|------|----------------|----------------------------------|----------|---------|
| 16 | 0207-02220 | Axle(R) CMP | 1 | |
| 15 | 0207-02120 | Axle(L) CMP | 1 | |
| 14 | 0207-00200 | Transmission Case(R) | 1 | |
| 13 | 89-3510-028300 | DU Bush 28.30 | 1 | |
| 12 | 89-3410-075000 | Steel Ball 7.5 | 3 | |
| 11 | 89-2511-000400 | Snap Ring (S40) | 1 | |
| 10 | 89-2511-000280 | Snap Ring (S28) | 1 | |
| 9 | 89-1750-100002 | Spring Washer 10 | 6 | |
| 8 | 89-1613-100042 | Mini Hexagonal Nut (3 sorts) M10 | 6 | |
| 7 | 83-1830-382-00 | Thrust Washer 40*48*1.0 | 1 | |
| 6 | 80-1751-162-00 | Differential Lock Spring | 1 | |
| 5 | 80-1481-155-00 | Differential Gear Shaft Collar | 4 | |
| 4 | 80-1481-152-00 | Differential Lock Gear 11T | 4 | |
| 3 | 80-1481-151-00 | Differential Lock Plate | 1 | |
| 2 | 80-1425-143-00 | Differential Lock Cone | 1 | |
| 1 | 80-1415-150-00 | Axle Pin | 1 | |
| Ref. | Parts Number | Parts Name | Quantity | Remarks |



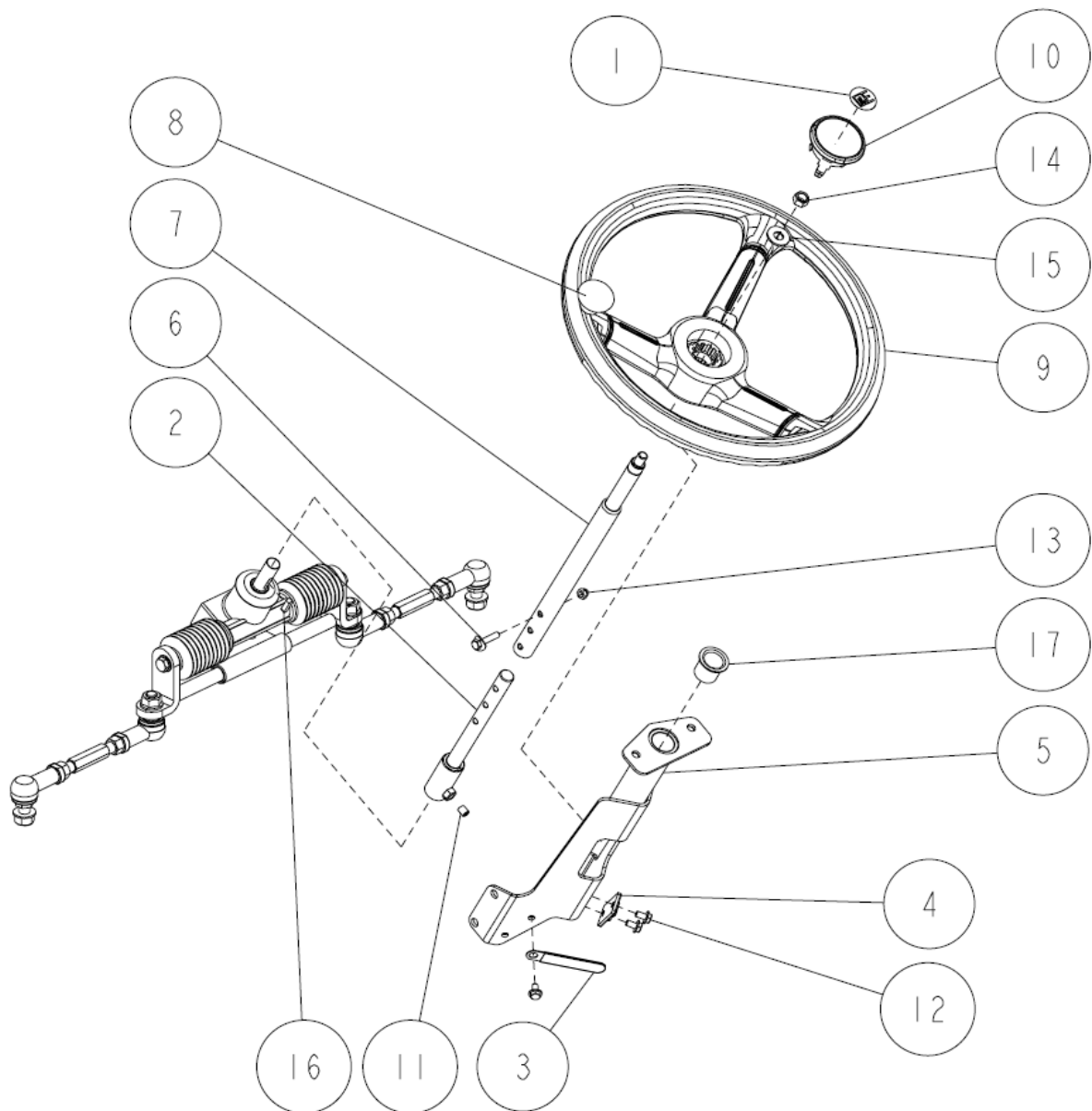
| 9 | 0244-09200 | HST Unit Assy | - | |
|------|--------------|----------------------|----------|---------|
| 8 | 0244-72700 | HST Oil Hose | 1 | |
| 7 | 0244-01500 | HST Oil Tank Setting | 1 | |
| 6 | 0228-70200 | Hose Band 24 | 2 | |
| 5 | 0207-79900 | Wire Band 250L | 1 | |
| 4 | 0207-79800 | Push Clip | 1 | |
| 3 | 0207-71300 | Filter (with level) | 1 | |
| 2 | 0207-07700 | Port Joint | 1 | |
| 1 | 0207-07630 | Oil Tank | 1 | |
| Ref. | Parts Number | Parts Name | Quantity | Remarks |



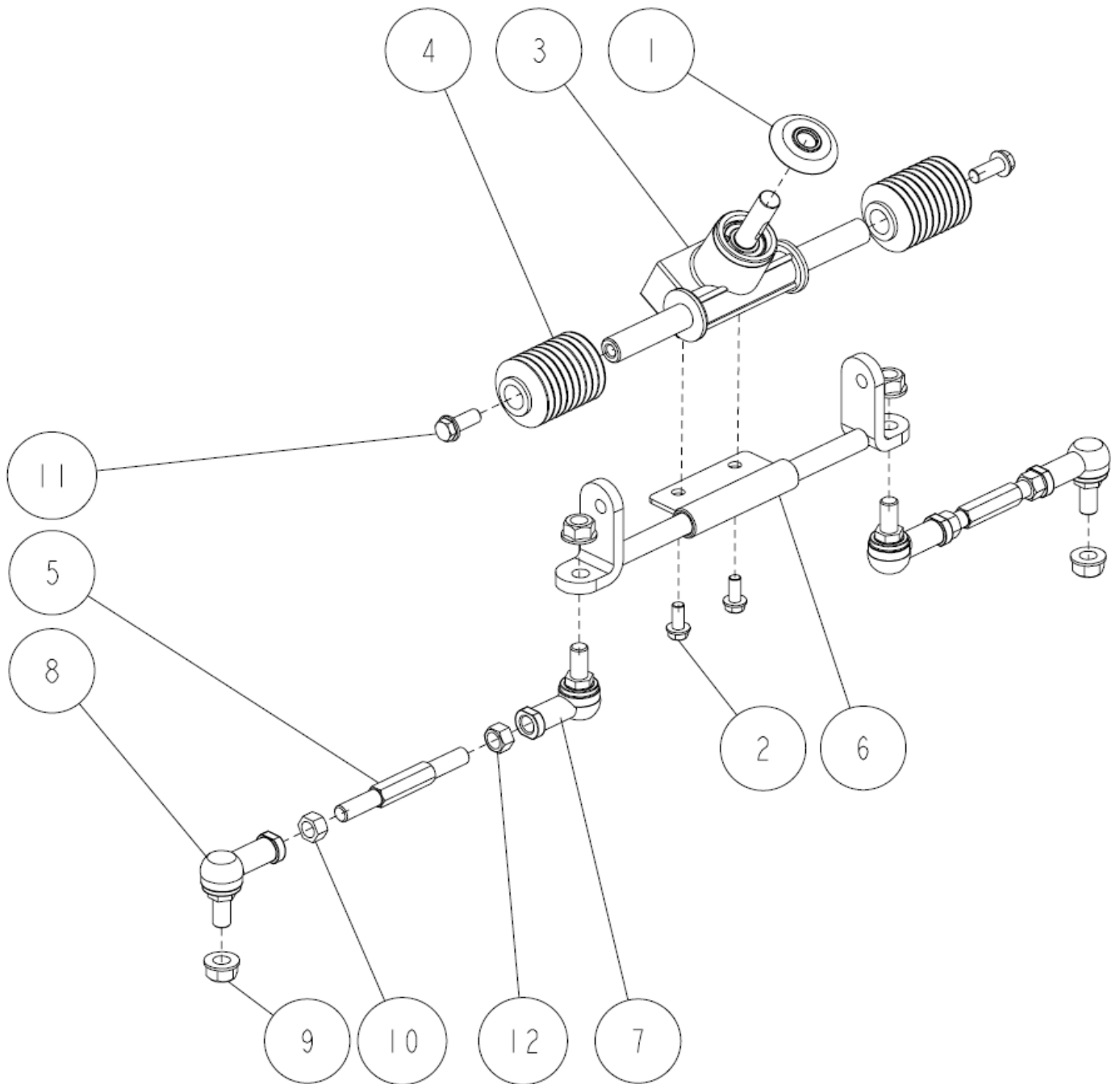
| 6 | 0244-01400 | Control Arm CMP | 1 | |
|------|----------------|----------------------------|----------|---------|
| 5 | 0244-09200 | HST Unit Assy | - | |
| 4 | 89-2151-050160 | Key 5*16 (half round) | 1 | |
| 3 | 89-1543-080002 | Mini Hexagonal Nut (SW) M8 | 1 | |
| 2 | 89-1511-060042 | Hexagonal Nut M6 | 1 | |
| 1 | 89-1113-060122 | Hexagonal Bolt (8T) M6*12 | 1 | |
| Ref. | Parts Number | Parts Name | Quantity | Remarks |



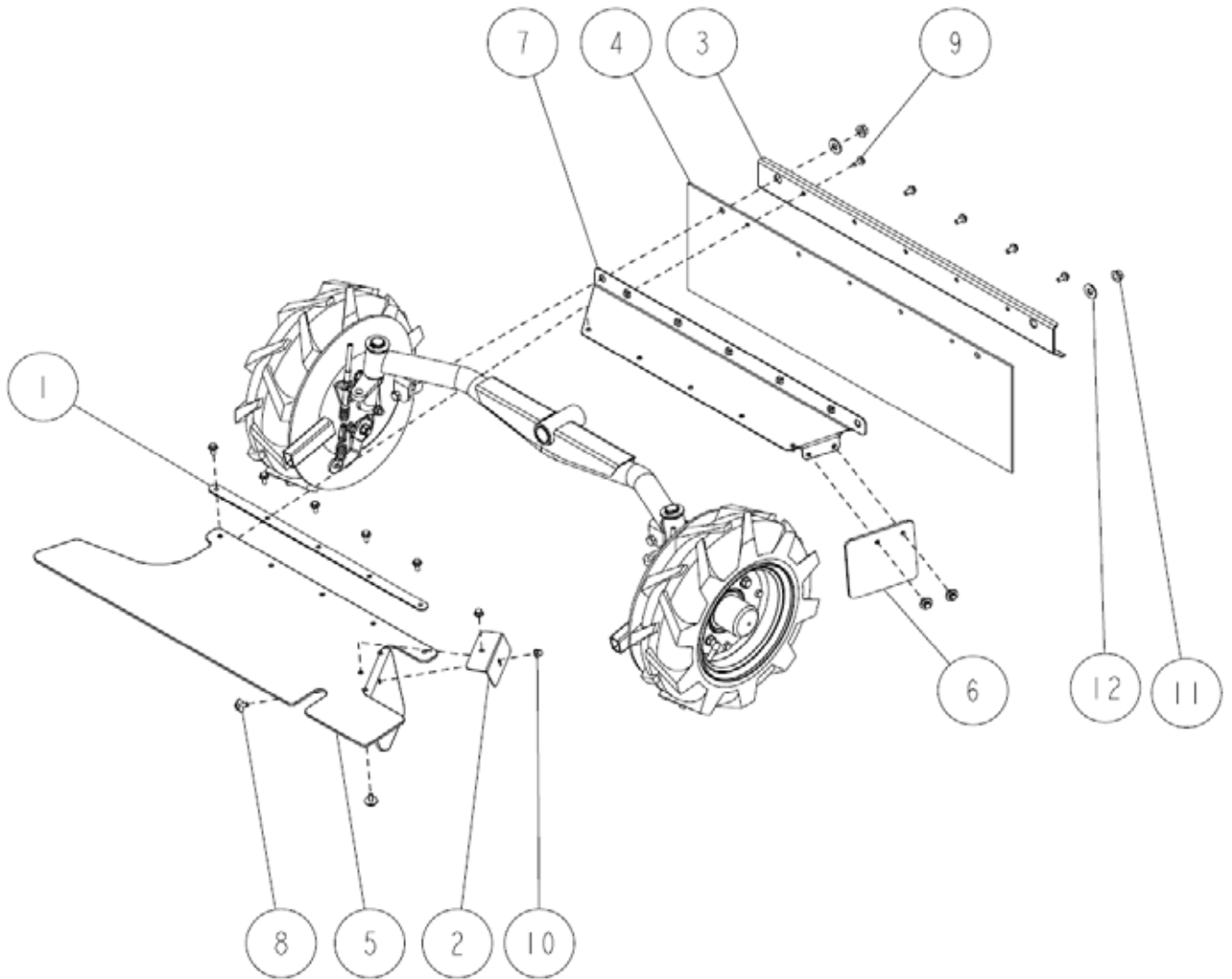
| 16 | 89-1812-060002 | Toothed washer (inside) 6 | 1 | |
|------|----------------|------------------------------|----------|---------|
| 15 | 89-1631-080042 | Flange Mini Hexagonal Nut M8 | 1 | |
| 14 | 89-1541-060002 | Hexagonal Nut (SW) M6 | 2 | |
| 13 | 89-1159-080108 | Truss Mini Screw M8*10 | 7 | |
| 12 | 89-1159-060168 | Truss Mini Screw M6*16 | 2 | |
| 11 | 0244-75600 | Key Plate | 1 | |
| 10 | 0244-75400 | Blind Washer | 1 | |
| 9 | 0244-73600 | Hour Meter | 1 | |
| 8 | 0244-72600 | Choke Wire B | 1 | |
| 7 | 0244-70300 | Lighting Switch | 1 | |
| 6 | 0244-15100 | Control Panel (B&S) | 1 | |
| 5 | 0207-79700 | Key Switch | 1 | |
| 4 | 0207-79300 | Pilot Lamp | 1 | |
| 3 | 80-1488-924-00 | Label, Chork (13118) | 1 | |
| 2 | 80-1488-912-00 | Label, Key (13121) | 1 | |
| 1 | 80-1483-978-00 | Magnetic Switch (MS2-401) | 1 | |
| Ref. | Parts Number | Parts Name | Quantity | Remarks |



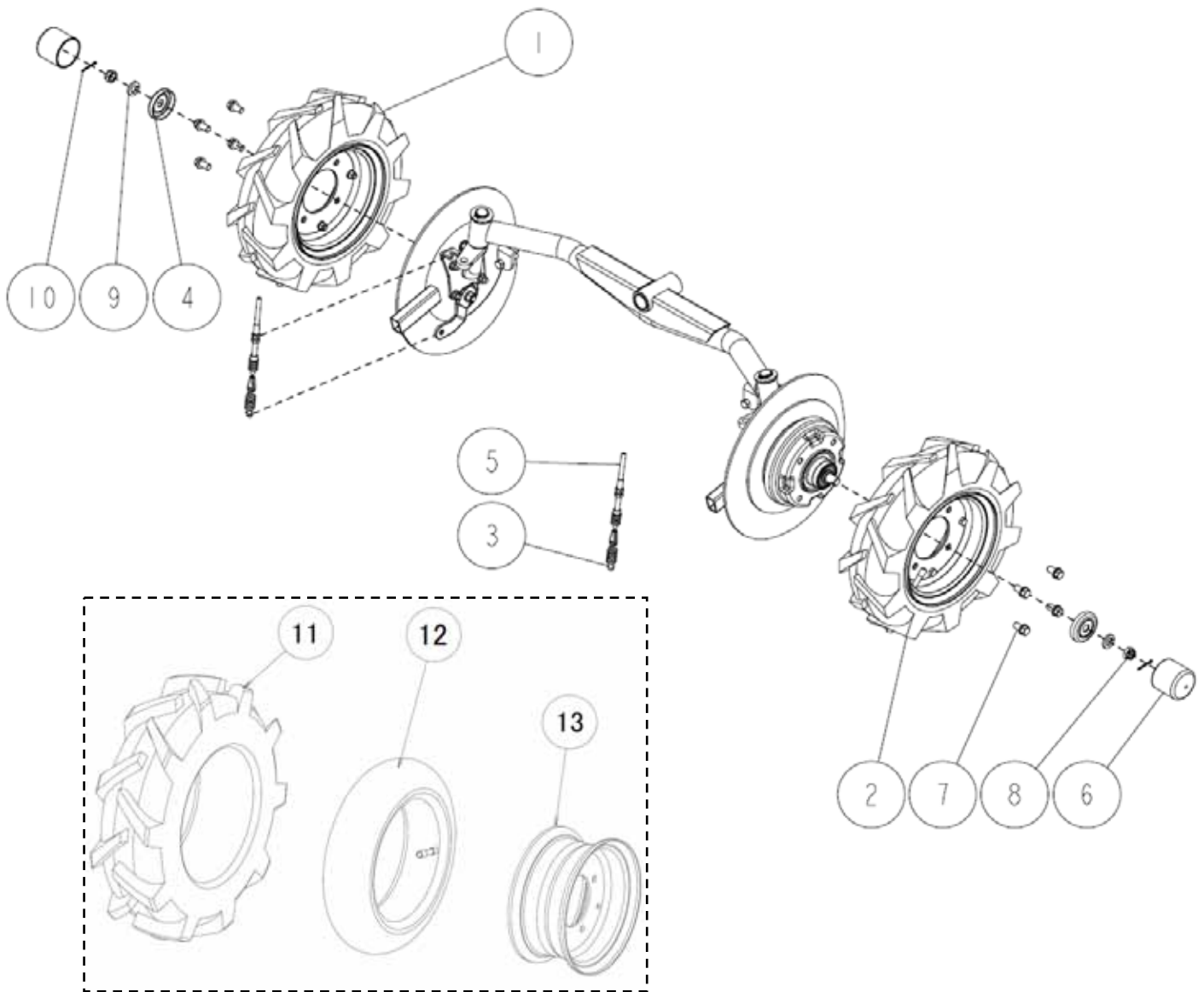
| 8.9.10 | 0262-70100 | Steering Wheel Assy | - | |
|--------|----------------|------------------------------|----------|---------|
| 17 | 89-3511-022250 | DU Bush 22.25.33F | 1 | |
| 16 | 89-2150-050200 | Key 5*20 (round) | 1 | |
| 15 | 89-1713-100002 | Flat Washer 10 (large) | 1 | |
| 14 | 89-1561-100002 | Mini Hexagonal U Nut M10 | 1 | |
| 13 | 89-1553-060002 | Bag Hexagonal U Nut M6 | 1 | |
| 12 | 89-1137-060122 | Hexagonal Bolt (PW) M6*12 | 3 | |
| 11 | 83-1493-149-00 | Hexagonal Screw M8*10 | 1 | |
| 10 | 0262-70500 | Steering Cap | 1 | |
| 9 | 0262-70400 | Steering Wheel | 1 | |
| 8 | 0262-70300 | Sub Handle Assy | 1 | |
| 7 | 0262-10200 | Steering Upper Shaft | 1 | |
| 6 | 0244-75800 | Bolt for Upper Shaft Setting | 1 | |
| 5 | 0244-20600 | Handle Supporter CMP | 1 | |
| 4 | 0207-79200 | Fuse Box Bracket | 1 | |
| 3 | 80-1792-988-00 | Harness Clip 8 | 1 | |
| 2 | 80-1481-324-20 | Steering Lower Shaft | 1 | |
| 1 | 0244-80700 | Label, Handle (Blue) | 1 | |
| Ref. | Parts Number | Parts Name | Quantity | Remarks |



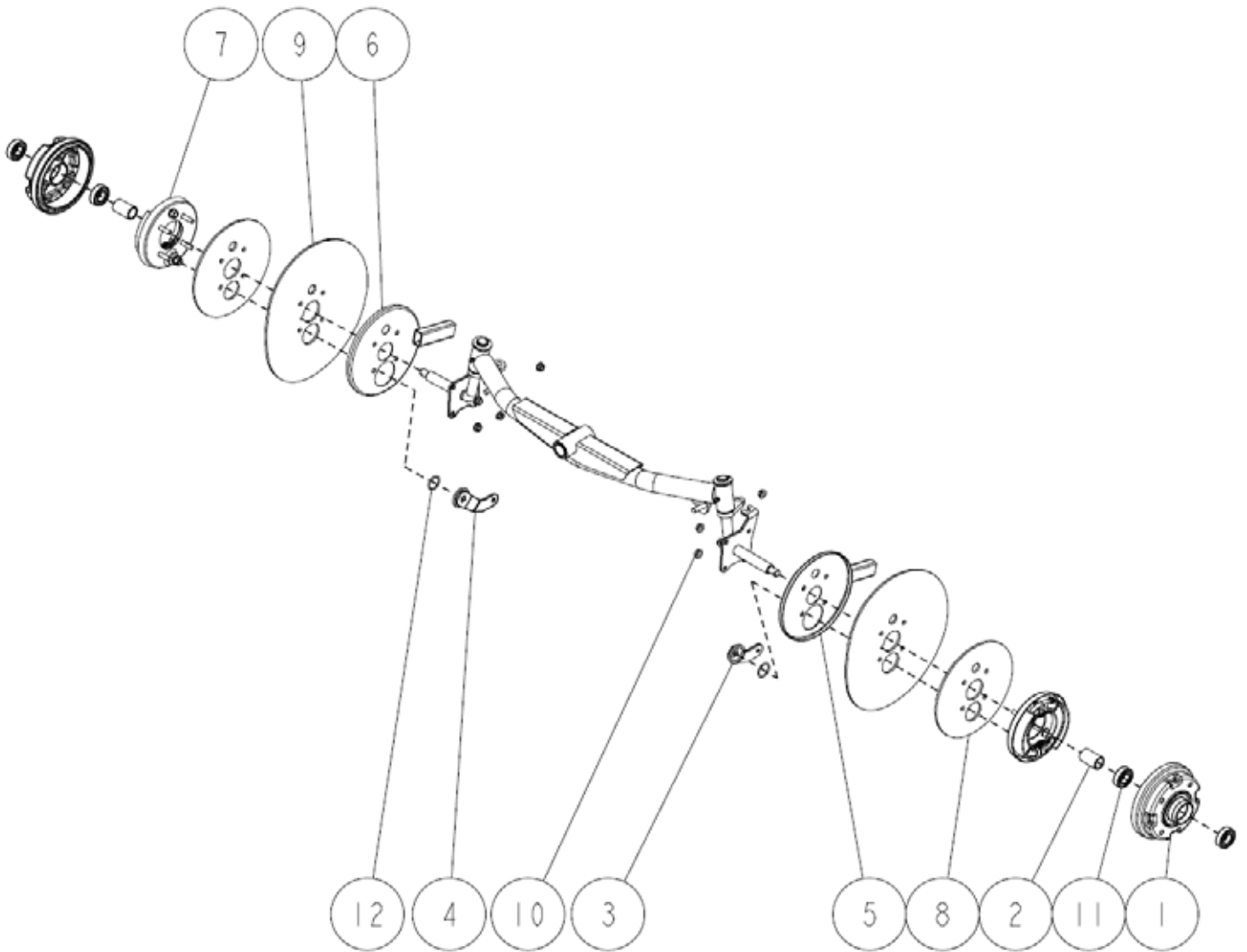
| 12 | 89-1612-120042 | Mini Hexagonal Nut (Slender) M12 | 2 | |
|------|----------------|---------------------------------------|----------|---------|
| 11 | 89-1254-100252 | Flange Mini Hexagonal Bolt M10*25 P=1 | 2 | |
| 10 | 0244-73800 | Hexagonal Nut (slender) M12 Left | 2 | |
| 9 | 0244-71900 | Tough Lock Nut M12=P1.25 | 4 | |
| 8 | 0244-71800 | Link Ball 12 (L) | 2 | |
| 7 | 0244-71700 | Link Ball 12 (R) | 2 | |
| 6 | 0244-31400 | Rack Support | 1 | |
| 5 | 0244-31300 | Tie Rod Adjuster | 2 | |
| 4 | 80-1490-967-00 | Steering Boots | 2 | |
| 3 | 80-1484-962-10 | Steering Gear Box Assy | 1 | |
| 2 | 80-1020-719-00 | Hexagonal Tap Tight M8*18 | 2 | |
| 1 | 80-1016-461-00 | Bearing Cover | 1 | |
| Ref. | Parts Number | Parts Name | Quantity | Remarks |



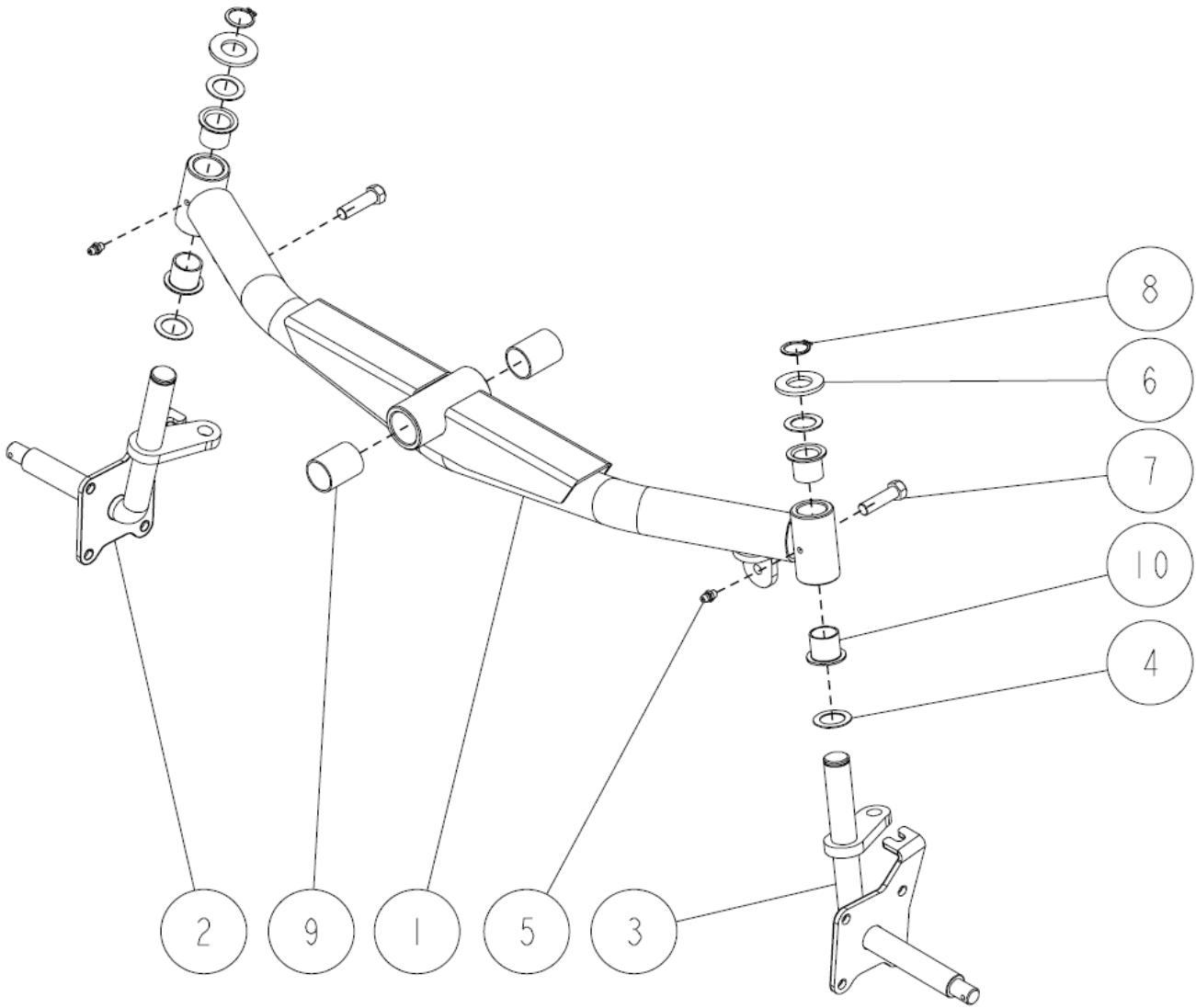
| 12 | 89-1713-100002 | Flat Washer 10 (large) | 2 | |
|------|----------------|--|----------|---------|
| 11 | 89-1631-100042 | Flange Mini Hexagonal Nut M10 | 2 | |
| 10 | 89-1581-060042 | Flange Cap Nut M6 | 2 | |
| 9 | 89-1137-060152 | Hexagonal Bolt (PW) M6*15 | 10 | |
| 8 | 83-1565-111-00 | Hexagonal Bolt (with Big Washer) M6*16 | 4 | |
| 7 | 0255-60600 | Front Upper Guard CMP | 1 | |
| 6 | 0255-60500 | Upper Guard Flapper | 1 | |
| 5 | 0255-60200 | Upper Flapper | 1 | |
| 4 | 0228-60500 | Front Flapper | 1 | |
| 3 | 0217-63400 | Foot Guard | 1 | |
| 2 | 0207-60900 | Upper Flapper Holder (R) | 1 | |
| 1 | 0207-60800 | Upper Flapper Holder | 1 | |
| Ref. | Parts Number | Parts Name | Quantity | Remarks |



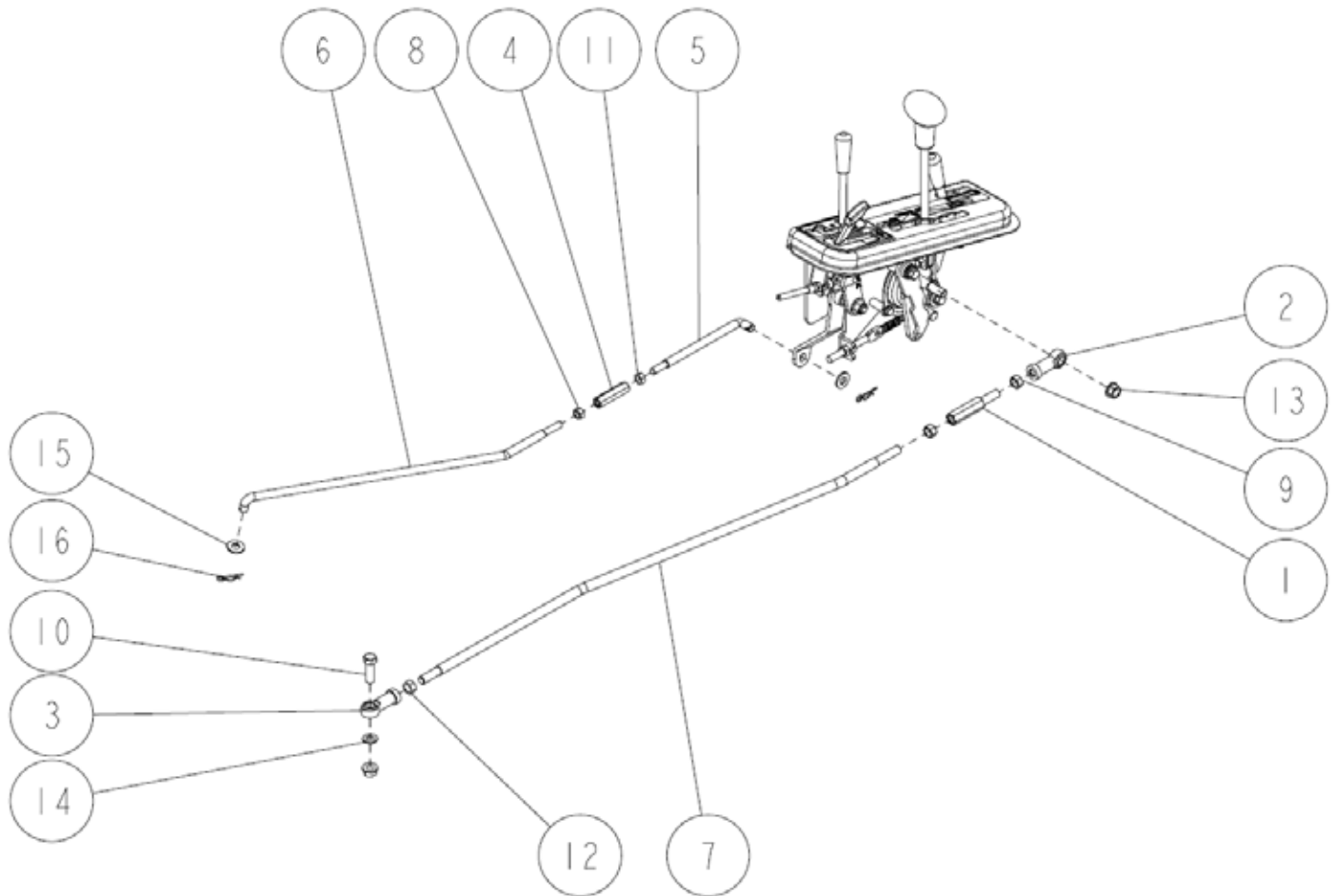
| 13 | 80-1260-407-00 | Wheel Assy 3.50-7 | 2 | |
|------|----------------|------------------------------------|----------|---------|
| 12 | 80-1260-404-00 | Tire Tube 3.50-7 | 2 | |
| 11 | 80-1260-401-10 | Tire (3.50*7) | 2 | |
| 10 | 89-2120-250252 | Split Pin 2.5*25 | 2 | |
| 9 | 89-1750-140002 | Spring Washer 14 | 2 | |
| 8 | 89-1668-140042 | Mini Low Fluted Nut (2 sorts) M14 | 2 | |
| 7 | 89-1232-100202 | Mini Hexagonal Bolt (SW) M10*20 | 8 | |
| 6 | 0244-76100 | Wheel Cap (Front) | 2 | |
| 5 | 0240-75100 | Front Brake Wire | 2 | |
| 4 | 0207-30500 | Front Wheel Dust Cover | 2 | |
| 3 | 80-1425-551-00 | Differential Lock Spring | 2 | |
| 2 | 80-1260-412-00 | Front Wheel Tire (R) Assy (3.50-7) | 1 | |
| 1 | 80-1260-411-00 | Front Wheel Tire (L) Assy (3.50-7) | 1 | |
| Ref. | Parts Number | Parts Name | Quantity | Remarks |



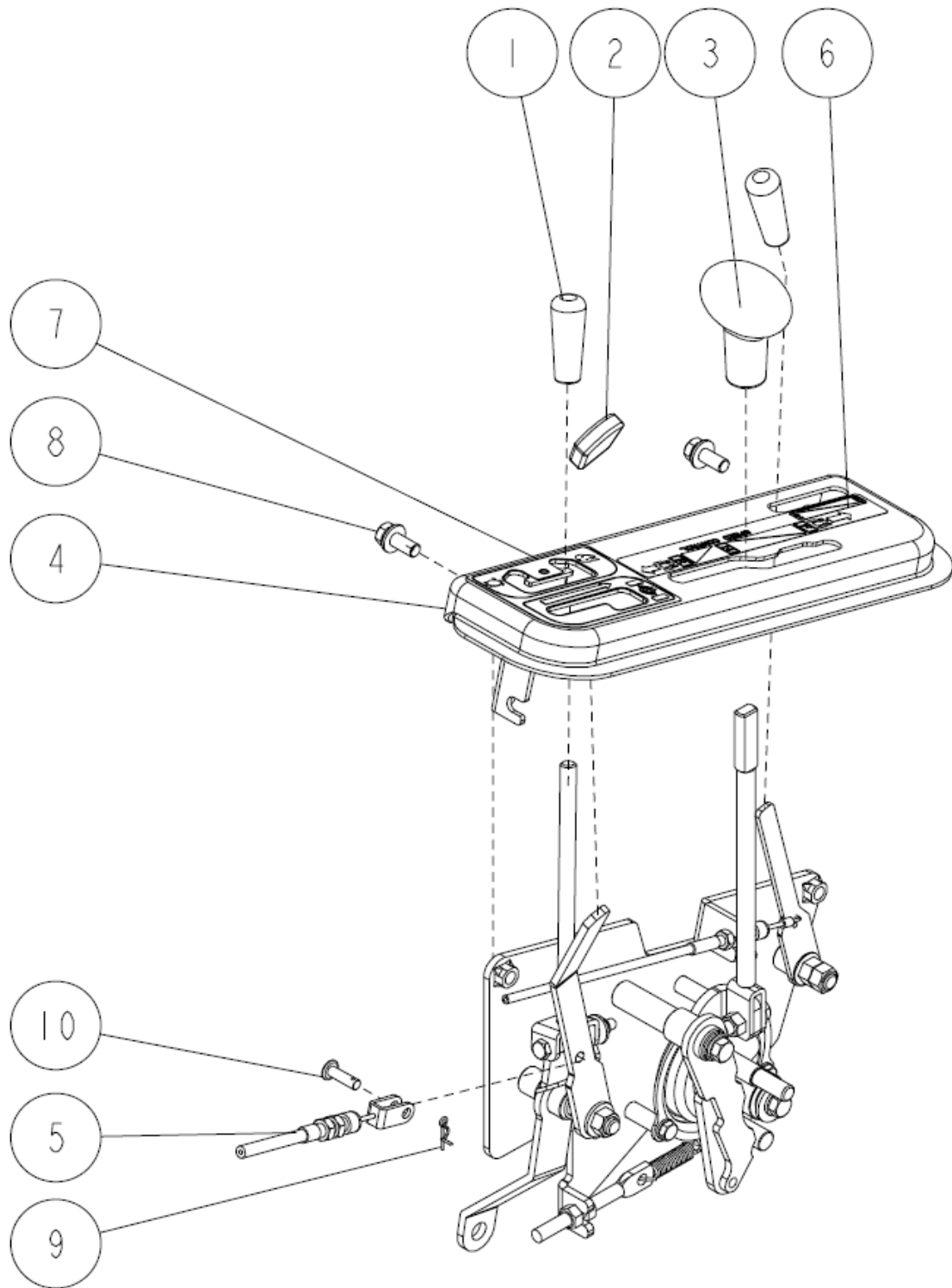
| 12 | 89-5221-025000 | O Ring P25 | 2 | |
|------|----------------|-------------------------------|----------|---------|
| 11 | 89-3115-060044 | Bearing 6004 2RS | 4 | |
| 10 | 89-1631-080042 | Flange Mini Hexagonal Nut M8 | 8 | |
| 9 | 0240-62210 | Front Wheel Rubber Cover | 2 | |
| 8 | 0240-62110 | Front Wheel Rubber Cover (IN) | 2 | |
| 7 | 0240-32100 | Brake Shoe φ130 | 2 | |
| 6 | 0240-31500 | Brake Cover CMP (R) | 1 | |
| 5 | 0240-31400 | Brake Cover CMP (L) | 1 | |
| 4 | 0240-31300 | Brake Arm CMP (R) | 1 | |
| 3 | 0240-31200 | Brake Arm CMP (L) | 1 | |
| 2 | 0240-31100 | King Pin Collar | 2 | |
| 1 | 0240-30300 | Wheel Boss | 2 | |
| Ref. | Parts Number | Parts Name | Quantity | Remarks |



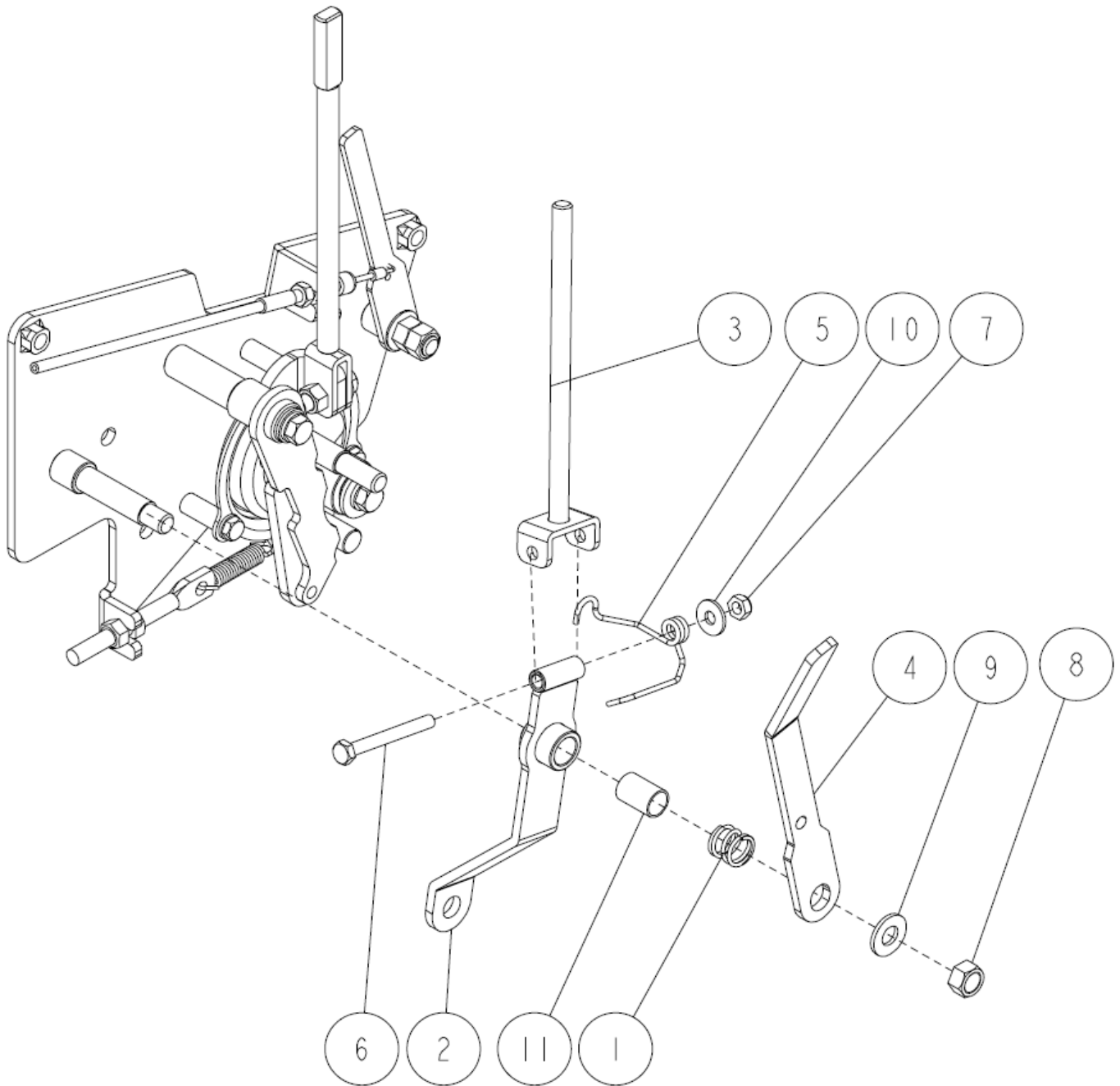
| 10 | 89-3511-020200 | DU Bush 20.20.31F | 4 | |
|------|----------------|---------------------------------|----------|---------|
| 9 | 89-3510-025350 | DU Bush 25.35 | 2 | |
| 8 | 89-2511-000200 | Snap Ring (S20) | 2 | |
| 7 | 89-1213-100252 | Mini Hexagonal Bolt (8T) M10*25 | 2 | |
| 6 | 83-1490-337-00 | Washer 20*38*3.2 | 2 | |
| 5 | 83-1415-975-00 | Grease Nipple M6 | 2 | |
| 4 | 83-1310-371-00 | Thrust Washer 20*30*1.0 | 4 | |
| 3 | 0292-94200 | King Pin RM97FB (L) | 1 | |
| 2 | 0292-94100 | King Pin RM97FB (R) | 1 | |
| 1 | 0244-32100 | Front Axle CMP | 1 | |
| Ref. | Parts Number | Parts Name | Quantity | Remarks |



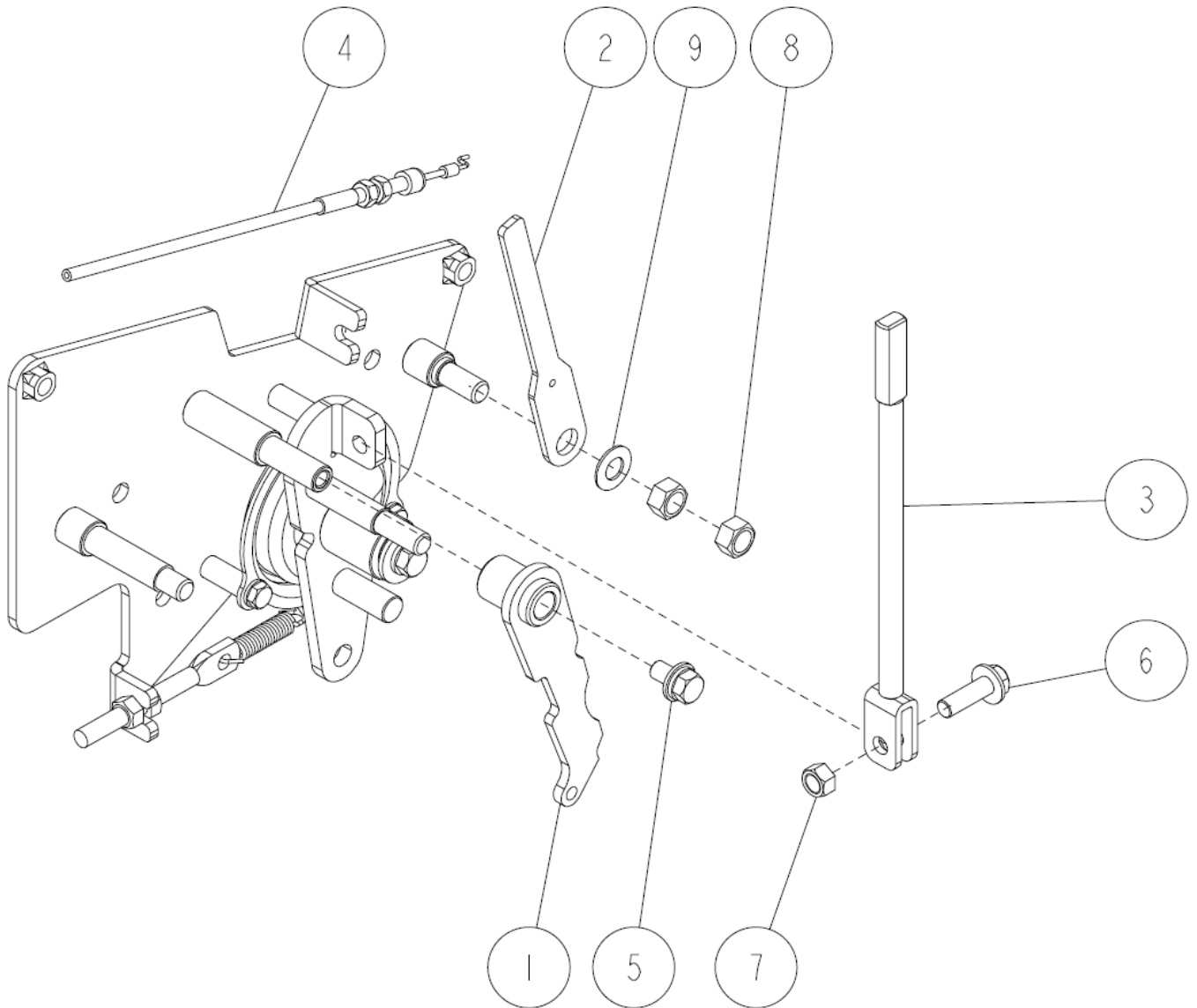
| 16 | 89-2131-100002 | Snap Pin 10 | 2 | |
|------|----------------|---------------------------------|----------|---------|
| 15 | 89-1712-100002 | Flat Washer 10*21*2.1 | 2 | |
| 14 | 89-1711-100002 | Flat Washer 10*18*1.6 | 1 | |
| 13 | 89-1631-100042 | Flange Mini Hexagonal Nut M10 | 2 | |
| 12 | 89-1611-100042 | Mini Hexagonal Nut M10 | 2 | |
| 11 | 89-1611-080042 | Mini Hexagonal Nut M8 | 1 | |
| 10 | 89-1213-100302 | Mini Hexagonal Bolt (8T) M10*30 | 1 | |
| 9 | 83-1488-195-02 | Mini Hexagonal Nut M10 (L) | 1 | |
| 8 | 83-1484-195-00 | Mini Hexagonal Nut M8 (L) | 1 | |
| 7 | 0244-13800 | Shift Rod | 1 | |
| 6 | 0244-13500 | Sub Change Rod (rear) | 1 | |
| 5 | 0207-11100 | Sub Change Rod (front) | 1 | |
| 4 | 80-1791-597-00 | Turn Buckle 8*50 | 1 | |
| 3 | 80-1487-964-10 | Rod End PHS10EC | 1 | |
| 2 | 80-1487-962-10 | Rod End PHS10ECL | 1 | |
| 1 | 80-1485-265-00 | Shift Rod Adjuster | 1 | |
| Ref. | Parts Number | Parts Name | Quantity | Remarks |



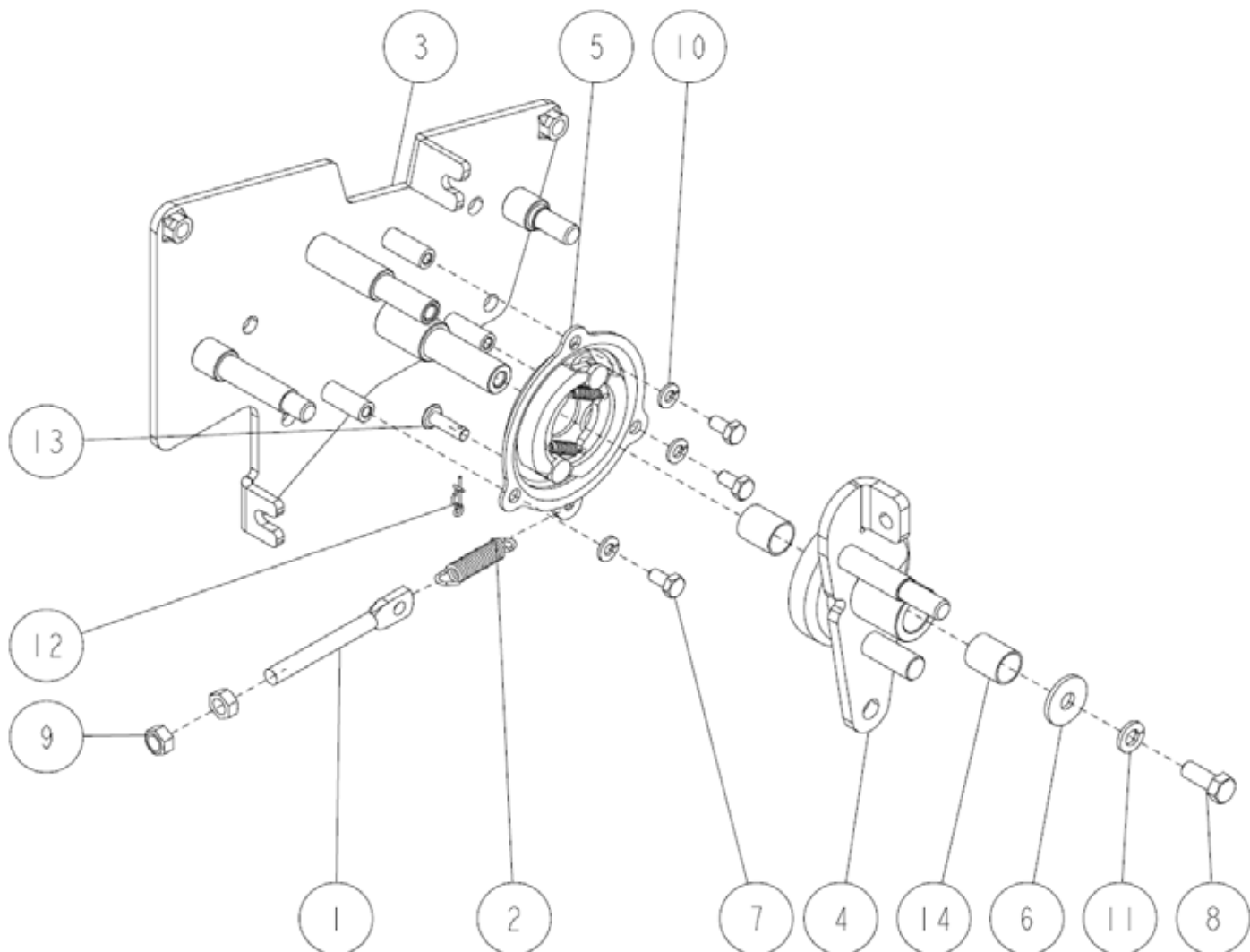
| 10 | 89-2181-060202 | Flat Head Pin 6*20 | 1 | |
|------|----------------|----------------------------------|----------|---------|
| 9 | 89-2132-060002 | Snap Pin 6 (with stopper) | 1 | |
| 8 | 89-1233-080202 | Mini Hexagonal Bolt (PWSW) M8*20 | 2 | |
| 7 | 0259-80500 | Label, Differential Lock (13257) | 1 | |
| 6 | 0259-80400 | Label, Change (13256) | 1 | |
| 5 | 0244-72400 | Differential Lock Wire | 1 | |
| 4 | 0244-13400 | Change Guide CMP | 1 | |
| 3 | 0221-13200 | Change Grip | 1 | |
| 2 | 0215-70600 | Lever Grip (Red) | 1 | |
| 1 | 0207-72600 | Lever Grip 8 (black) | 2 | |
| Ref. | Parts Number | Parts Name | Quantity | Remarks |



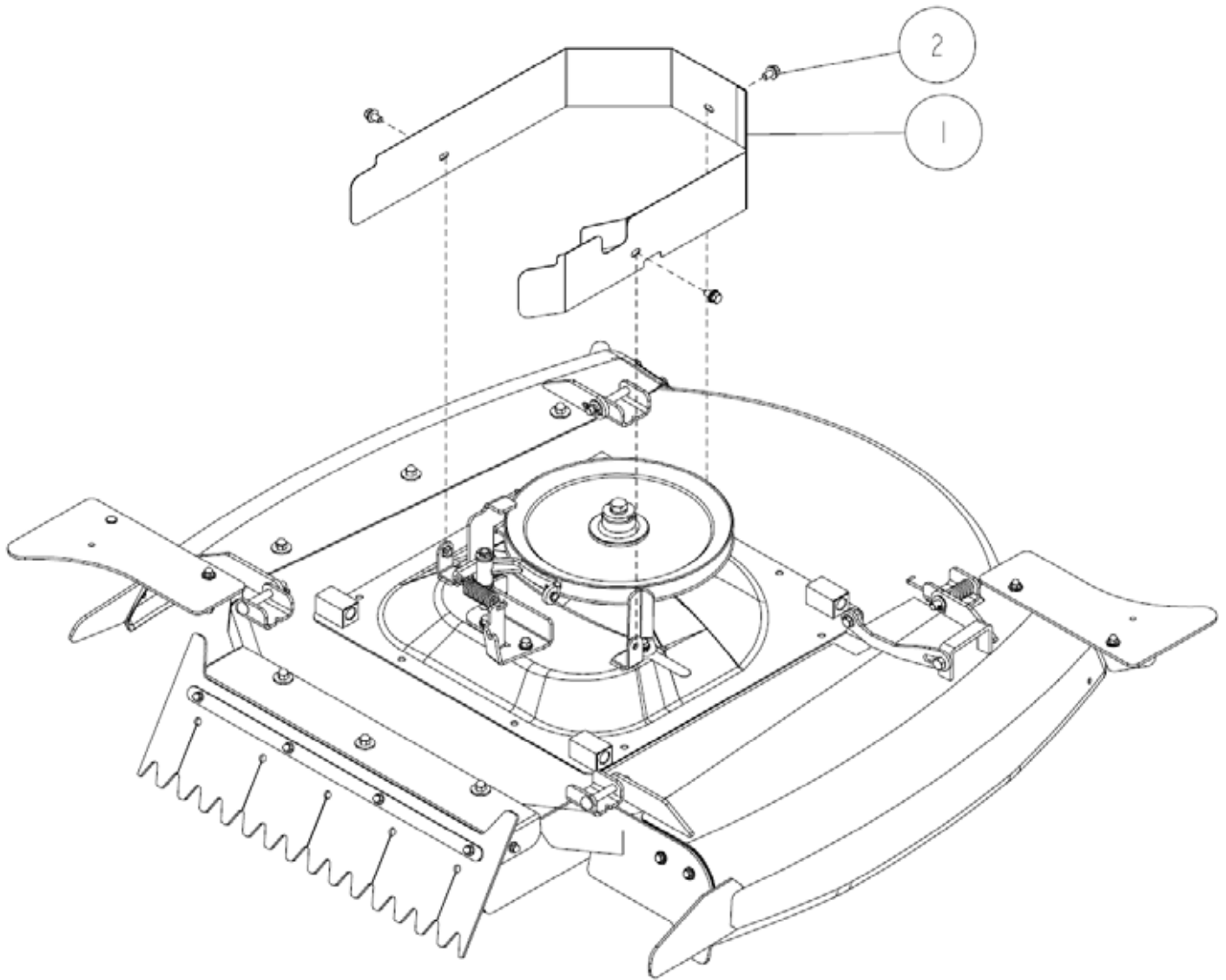
| 11 | 89-3510-012200 | DU Bush 12.20 | 1 | |
|------|----------------|------------------------------------|----------|---------|
| 10 | 89-1713-060002 | Flat Washer 6 (large) | 1 | |
| 9 | 89-1712-100000 | Flat Washer 10 | 1 | |
| 8 | 89-1561-100002 | Mini Hexagonal U Nut M10 | 1 | |
| 7 | 89-1551-060002 | Hexagonal U Nut M6 | 1 | |
| 6 | 89-1113-060552 | Hexagonal Bolt (8T) M6*55 | 1 | |
| 5 | 0244-73300 | Spring for Differential Lock Lever | 1 | |
| 4 | 0244-13200 | Differential Lock Lever CMP | 1 | |
| 3 | 0244-12700 | Sub Change Lever CMP | 1 | |
| 2 | 0244-12600 | Sub Change Arm CMP | 1 | |
| 1 | 80-1020-263-00 | Control Lever Shaft Spring | 1 | |
| Ref. | Parts Number | Parts Name | Quantity | Remarks |



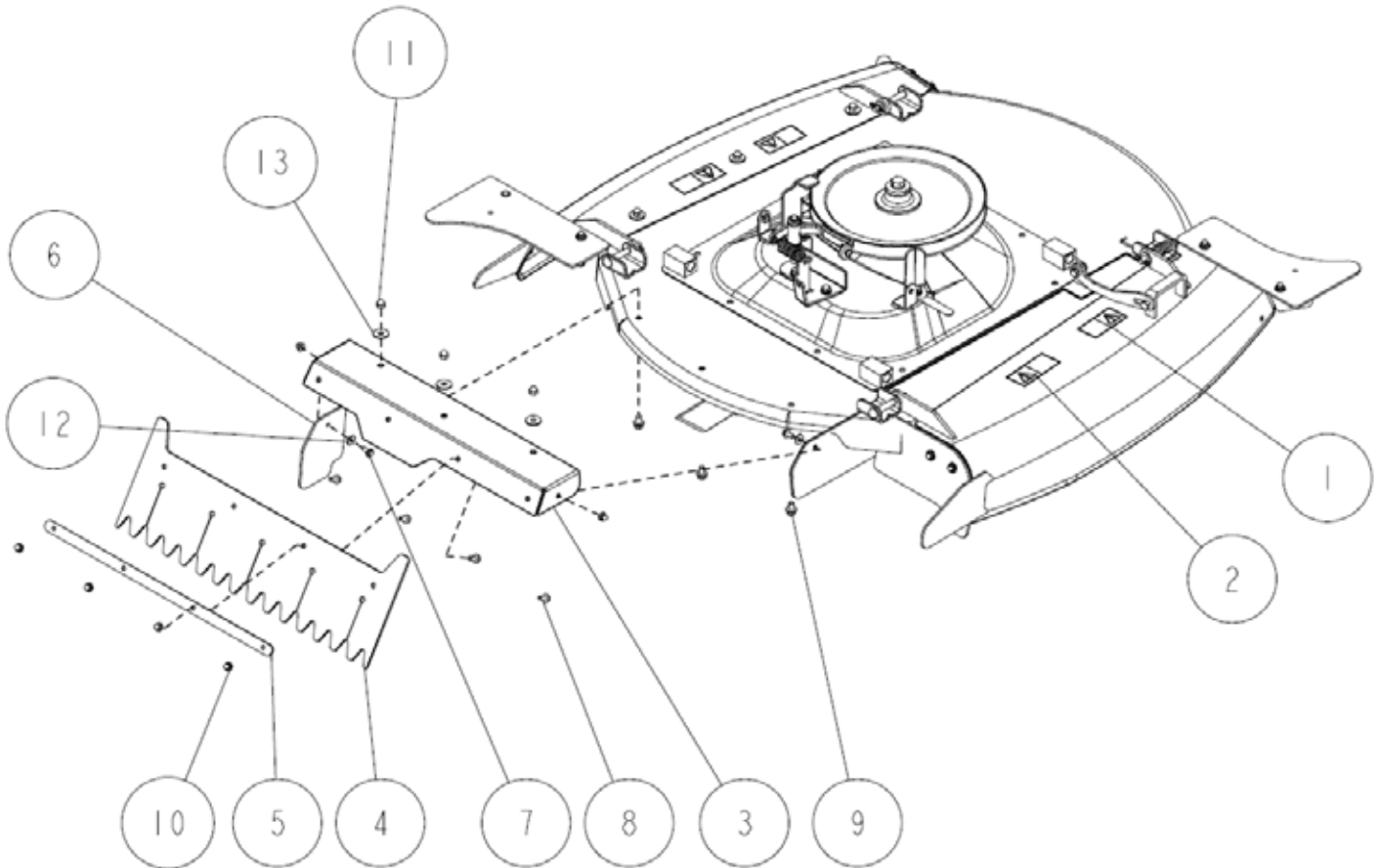
| 9 | 89-1852-10000 | Belleville Spring H10 | 1 | |
|------|----------------|---------------------------------------|----------|---------|
| 8 | 89-1611-10042 | Mini Hexagonal Nut M10 | 2 | |
| 7 | 89-1561-080002 | Mini Hexagonal U Nut M8 | 1 | |
| 6 | 89-1253-080252 | Flange Mini Hexagonal Bolt (8T) M8*25 | 1 | |
| 5 | 89-1233-080162 | Mini Hexagonal Bolt (PWSW) M8*16 | 1 | |
| 4 | 0244-72100 | Throttle Wire (B) | 1 | |
| 3 | 0244-15500 | Change Lever (S) CMP | 1 | |
| 2 | 0244-12500 | Throttle Lever | 1 | |
| 1 | 0244-12300 | Change Arm CMP | 1 | |
| Ref. | Parts Number | Parts Name | Quantity | Remarks |



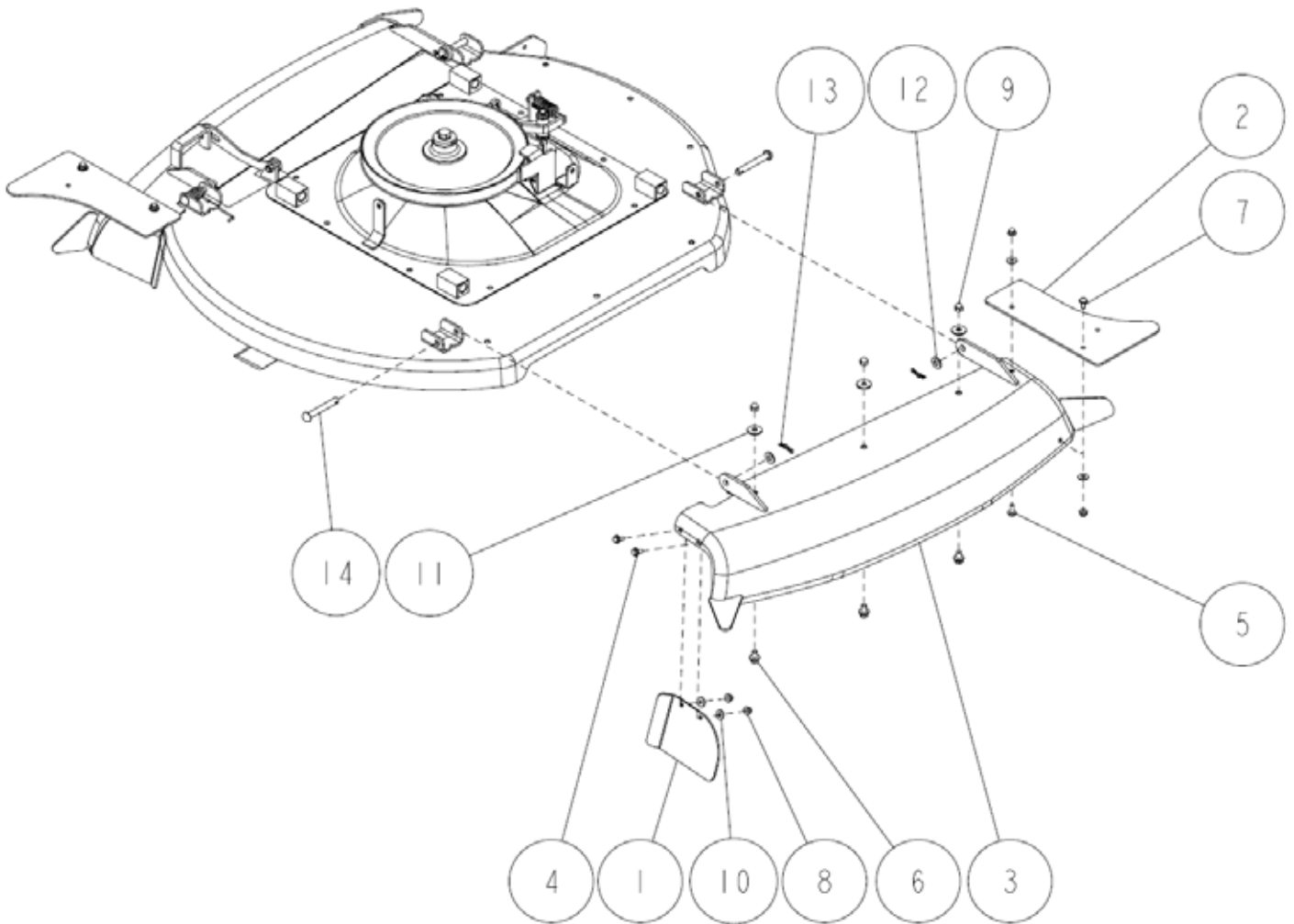
| 14 | 89-3510-015200 | DU Bush 15.20 | 2 | |
|------|----------------|---------------------------|----------|---------|
| 13 | 89-2181-060202 | Flat Head Pin 6*20 | 1 | |
| 12 | 89-2132-060002 | Snap Pin 6 (with stopper) | 1 | |
| 11 | 89-1750-080002 | Spring Washer 8 | 1 | |
| 10 | 89-1750-060002 | Spring Washer 6 | 3 | |
| 9 | 89-1611-080042 | Mini Hexagonal Nut M8 | 2 | |
| 8 | 89-1211-080202 | Mini Hexagonal Bolt M8*20 | 1 | |
| 7 | 89-1113-060122 | Hexagonal Bolt (8T) M6*12 | 3 | |
| 6 | 83-1751-311-00 | Flat Washer 8*25*2.3 | 1 | |
| 5 | 0244-12800 | Brake Assy | 1 | |
| 4 | 0244-12200 | Change Brake CMP | 1 | |
| 3 | 0244-12100 | Change Bracket CMP | 1 | |
| 2 | 0225-11800 | Spring, Change Brake | 1 | |
| 1 | 0207-72300 | Change Brake Adjuster | 1 | |
| Ref. | Parts Number | Parts Name | Quantity | Remarks |



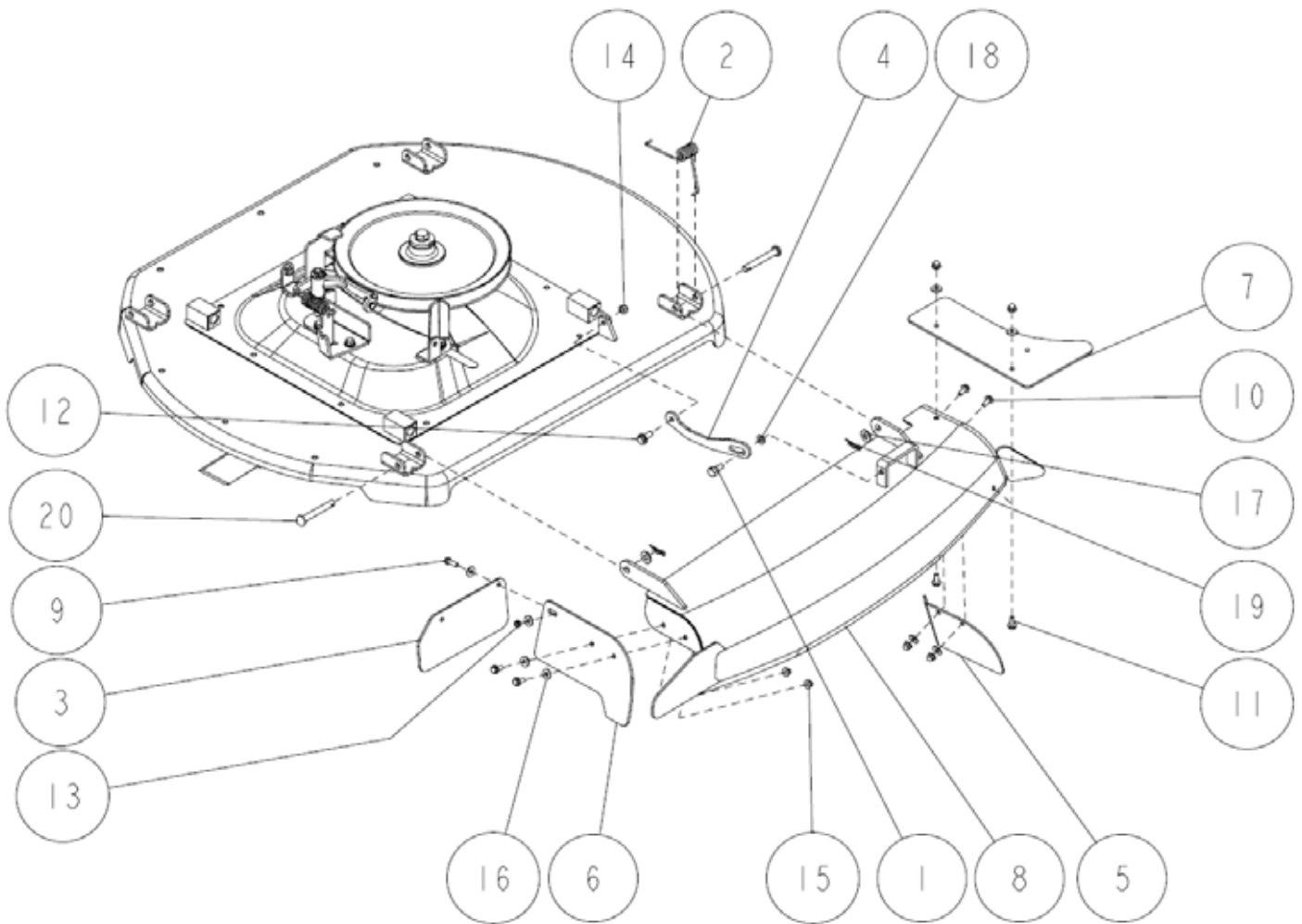
| 2 | 89-1233-080162 | Mini Hexagonal Bolt (PWSW) M8*16 | 3 | |
|------|----------------|----------------------------------|----------|---------|
| 1 | 0259-60300 | Knife Belt Cover (CE) AV98 | 1 | |
| Ref. | Parts Number | Parts Name | Quantity | Remarks |



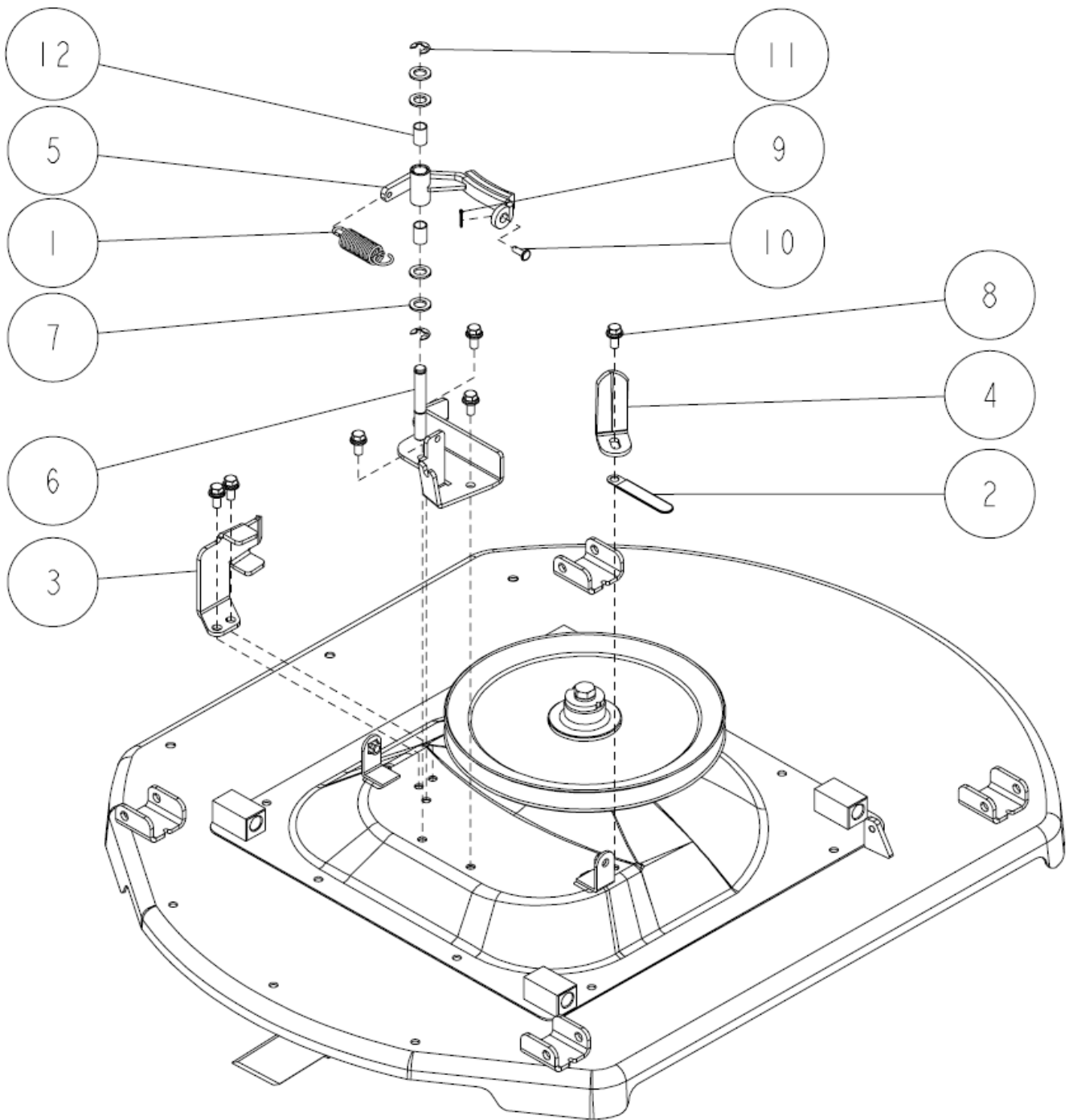
| 13 | 89-1714-080002 | Flat Washer 8 | 3 | |
|------|----------------|-----------------------------------|----------|---------|
| 12 | 89-1713-060002 | Flat Washer 6 (large) | 2 | |
| 11 | 89-1671-080042 | Mini Cap Nut M8 | 3 | |
| 10 | 89-1581-060042 | Flange Cap Nut M6 | 6 | |
| 9 | 89-1233-080162 | Mini Hexagonal Bolt (PWSW) M8*16 | 3 | |
| 8 | 89-1137-060172 | Hexagonal Bolt (PW) M6*17 | 4 | |
| 7 | 89-1137-060152 | Hexagonal Bolt (PW) M6*15 | 2 | |
| 6 | 0244-62600 | Side Flapper (Rear) | 1 | |
| 5 | 0244-61400 | Rear Guard Flapper Holder | 1 | |
| 4 | 0244-61300 | Rear Guard Flapper | 1 | |
| 3 | 0244-61200 | Rear Guard | 1 | |
| 2 | 80-1488-928-10 | Label, Caution for Belt Involving | 2 | |
| 1 | 80-1488-926-10 | Label, Caution for Knife | 2 | |
| Ref. | Parts Number | Parts Name | Quantity | Remarks |



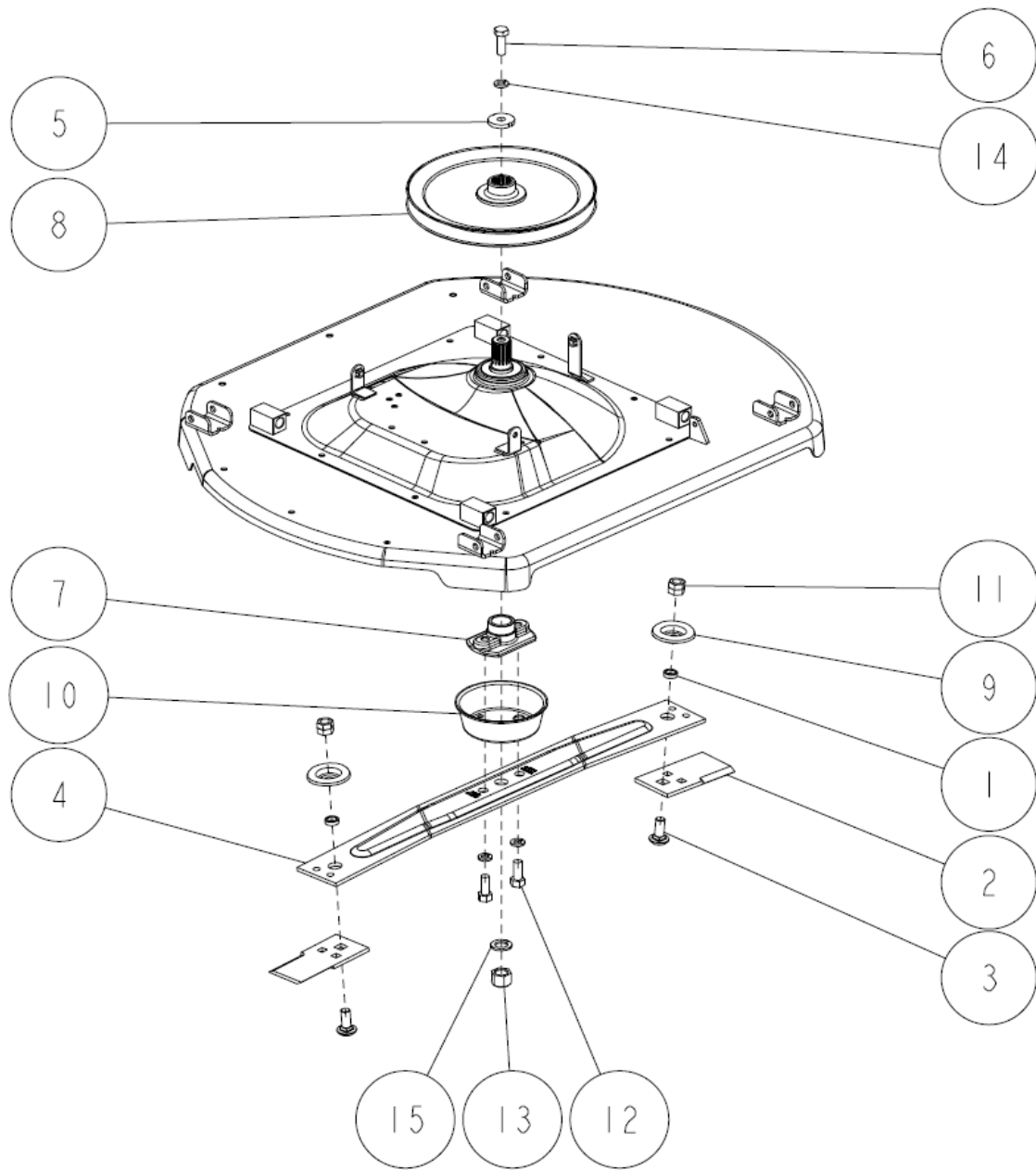
| 14 | 89-2191-100720 | Round Head Pin 10*72 | 2 | |
|------|----------------|----------------------------------|----------|---------|
| 13 | 89-2131-100002 | Snap Pin 10 | 2 | |
| 12 | 89-1714-100002 | Flat Washer 10 | 2 | |
| 11 | 89-1714-080002 | Flat Washer 8 | 3 | |
| 10 | 89-1713-060002 | Flat Washer 6 (large) | 4 | |
| 9 | 89-1671-080042 | Mini Cap Nut M8 | 3 | |
| 8 | 89-1581-060042 | Flange Cap Nut M6 | 4 | |
| 7 | 89-1390-060142 | Welded Bolt M6*14 | 1 | |
| 6 | 89-1233-080162 | Mini Hexagonal Bolt (PWSW) M8*16 | 3 | |
| 5 | 89-1137-060172 | Hexagonal Bolt (PW) M6*17 | 1 | |
| 4 | 89-1137-060152 | Hexagonal Bolt (PW) M6*15 | 2 | |
| 3 | 0292-81100 | Left Cover CMP (97ET) | 1 | |
| 2 | 0292-60100 | Right Cover Flapper (97) | 1 | |
| 1 | 0259-53200 | Foot Guard (Front Left) | 1 | |
| Ref. | Parts Number | Parts Name | Quantity | Remarks |



| 20 | 89-2191-100720 | Round Head Pin 10*72 | 2 | |
|------|----------------|---------------------------------------|----------|---------|
| 19 | 89-2131-100002 | Snap Pin 10 | 2 | |
| 18 | 89-1750-080002 | Spring Washer 8 | 1 | |
| 17 | 89-1714-100002 | Flat Washer 10 | 2 | |
| 16 | 89-1713-060002 | Flat Washer 6 (large) | 8 | |
| 15 | 89-1581-060042 | Flange Cap Nut M6 | 6 | |
| 14 | 89-1561-080002 | Mini Hexagonal U Nut M8 | 1 | |
| 13 | 89-1551-060002 | Hexagonal U Nut M6 | 1 | |
| 12 | 89-1253-080202 | Flange Mini Hexagonal Bolt (8T) M8*20 | 1 | |
| 11 | 89-1137-060172 | Hexagonal Bolt (PW) M6*17 | 4 | |
| 10 | 89-1137-060152 | Hexagonal Bolt (PW) M6*15 | 2 | |
| 9 | 89-1111-060202 | Hexagonal Bolt M6*20 | 1 | |
| 8 | 0292-81200 | Right Cover CMP | 1 | |
| 7 | 0292-60100 | Right Cover Flapper (97) | 1 | |
| 6 | 0281-60100 | Side Flapper (Rear Right) 97 | 1 | |
| 5 | 0259-53100 | Foot Guard (Front Right) | 1 | |
| 4 | 0259-51700 | Right Cover Up/Down Arm | 1 | |
| 3 | 0255-60700 | Rear Side Flapper (Left B) | 1 | |
| 2 | 0244-71600 | Spring for Right Cover | 1 | |
| 1 | 80-1488-747-00 | Bolt for Right Cover Up/Down Arm | 1 | |
| Ref. | Parts Number | Parts Name | Quantity | Remarks |

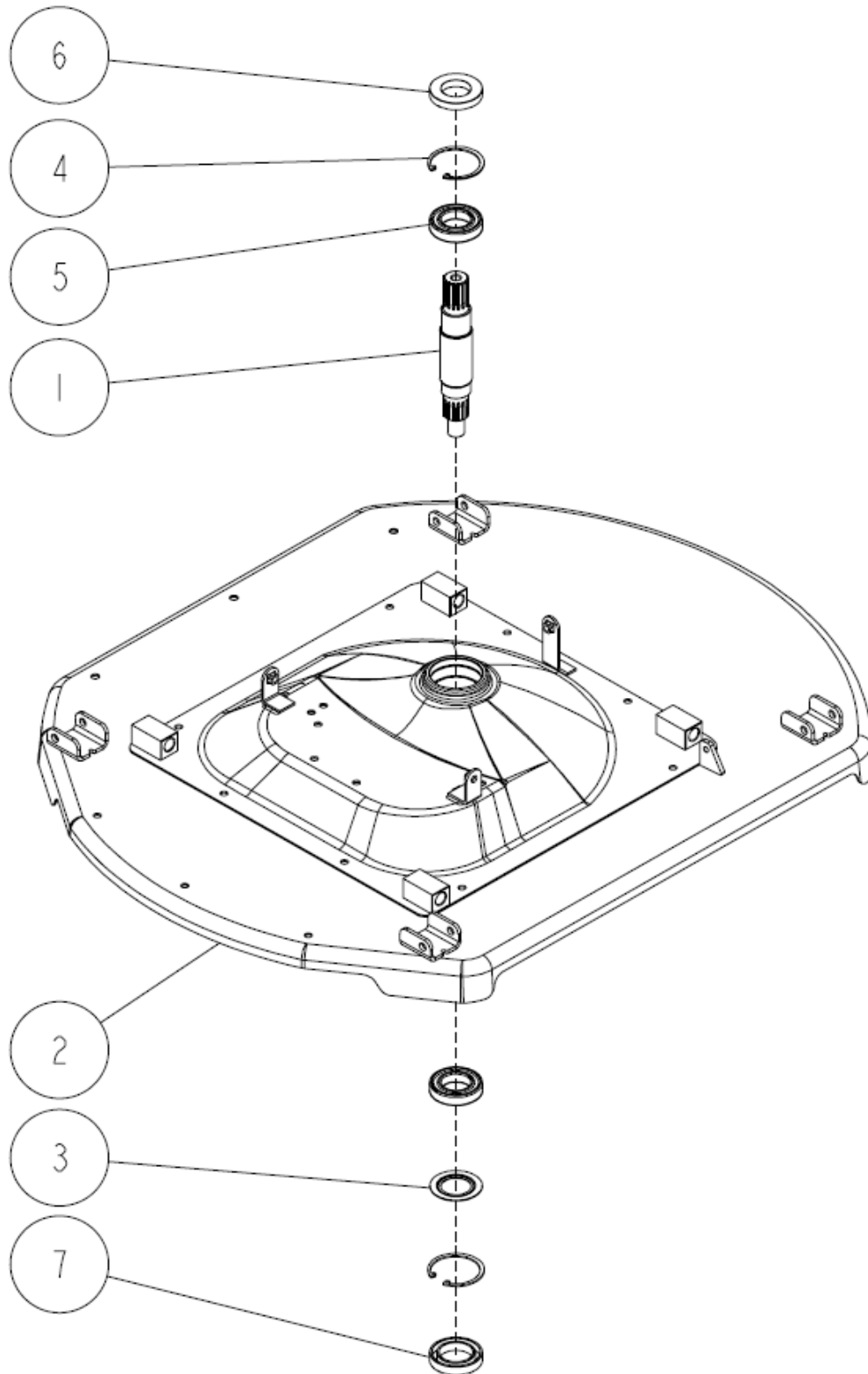


| 12 | 89-3510-012200 | DU Bush 12.20 | 2 | |
|------|----------------|----------------------------------|----------|---------|
| 11 | 89-2521-000100 | E Type Ring 10 | 2 | |
| 10 | 89-2181-060162 | Flat Head Pin 6*16 | 1 | |
| 9 | 89-2120-200152 | Split Pin 2*15 | 1 | |
| 8 | 89-1233-080202 | Mini Hexagonal Bolt (PWSW) M8*20 | 6 | |
| 7 | 83-1565-329-00 | Washer 13*22*2.3 | 4 | |
| 6 | 0244-50710 | Knife Brake Bracket CMP | 1 | |
| 5 | 0244-50600 | Knife Brake | 1 | |
| 4 | 0244-42600 | Knife Pulley Belt Holder | 1 | |
| 3 | 0244-42400 | Knife Pulley Belt Holder (L) | 1 | |
| 2 | 80-1792-988-00 | Harness Clip 8 | 1 | |
| 1 | 80-1485-551-00 | Driving Tension Spring | 1 | |
| Ref. | Parts Number | Parts Name | Quantity | Remarks |

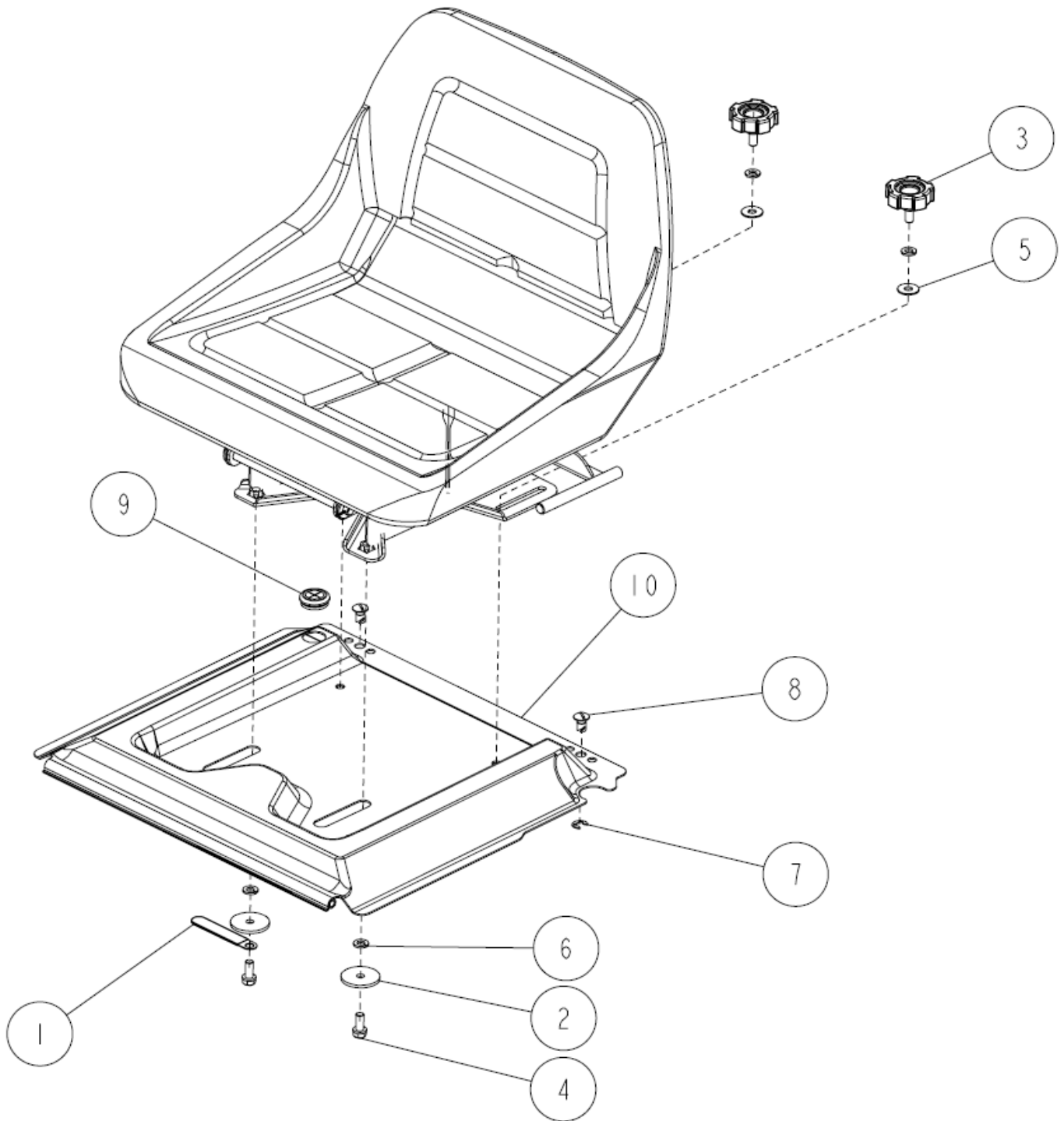


| 1.2.3.9.11 | 0244-78010 | Knife & Blade Bolt Set RM85 | (1) | No.3 / 4pcs including |
|------------|----------------|---------------------------------|----------|-----------------------|
| 3.9.11 | 0244-78210 | Knife Setting Bolt Set M14 | (2) | No.3 / 2pcs including |
| 15 | 89-1750-200002 | Spring Washer 20 | 1 | |
| 14 | 89-1750-120002 | Spring Washer 12 | 3 | |
| 13 | 83-1483-175-00 | Bag Nut M20 (Lock) | 1 | |
| 12 | 83-1483-129-00 | Mini Hexagonal Bolt (8T) M12*30 | 2 | |
| 11 | 0244-74600 | Hard Lock Nut M14 | 2 | |
| 10 | 0244-52100 | Knife Neck Guard | 1 | |
| 9 | 0244-51800 | Nut Guard 14 | 2 | |
| 8 | 0244-51500 | Knife Pulley CMP | 1 | |
| 7 | 0238-51100 | Knife Bracket | 1 | |
| 6 | 0221-76200 | Mini Hexagonal Bolt (8T) M12*35 | 1 | |
| 5 | 0221-76100 | Washer 12*40*6 | 1 | |
| 4 | 0217-50500 | Knife Stay | 1 | |
| 3 | 0207-50200 | Knife Setting Bolt M14*34 | 2 | |
| 2 | 80-1483-821-00 | Knife | 2 | |
| 1 | 80-1483-818-00 | Knife Collar | 2 | |
| Ref. | Parts Number | Parts Name | Quantity | Remarks |

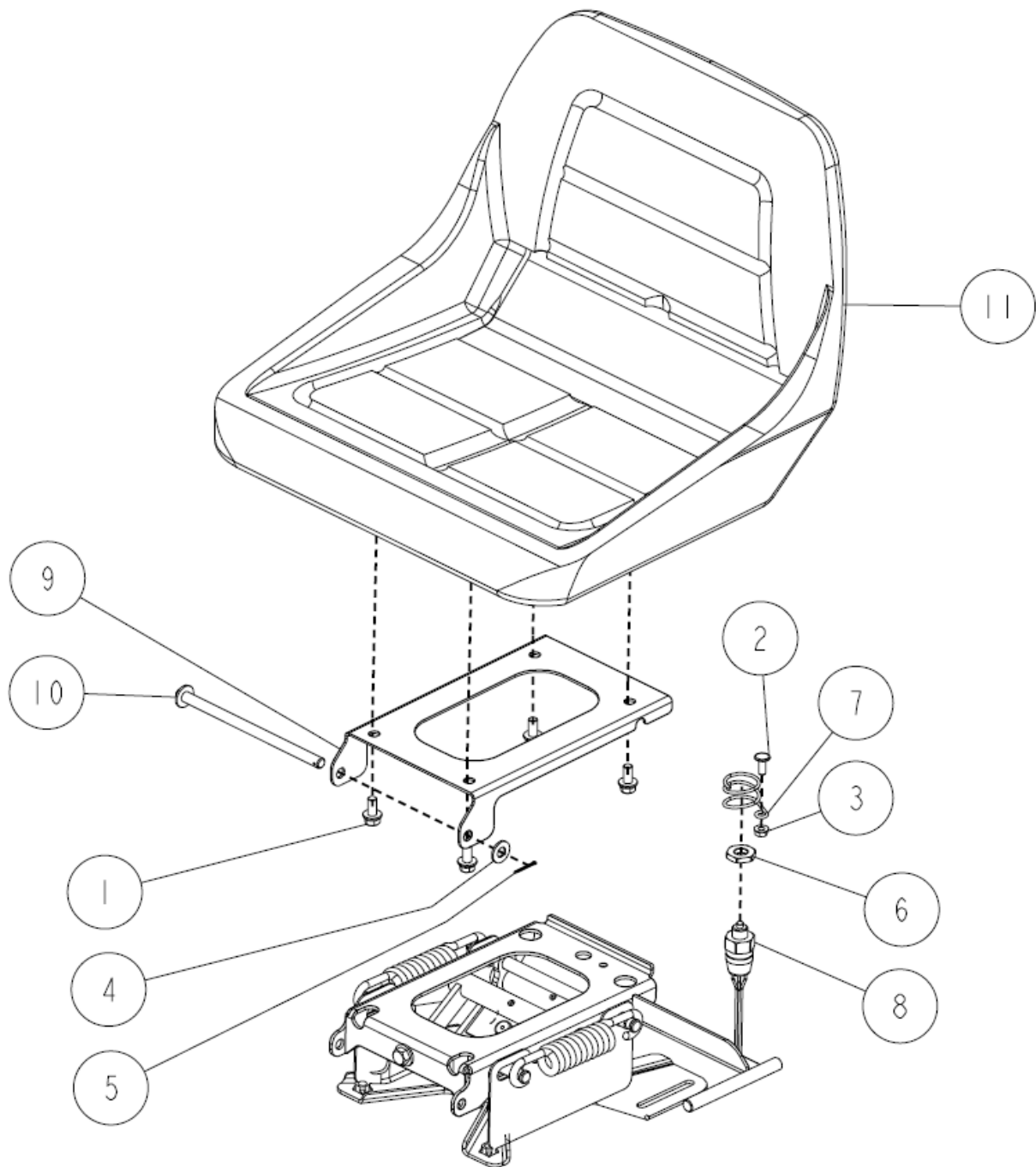
CUTTING 7/7



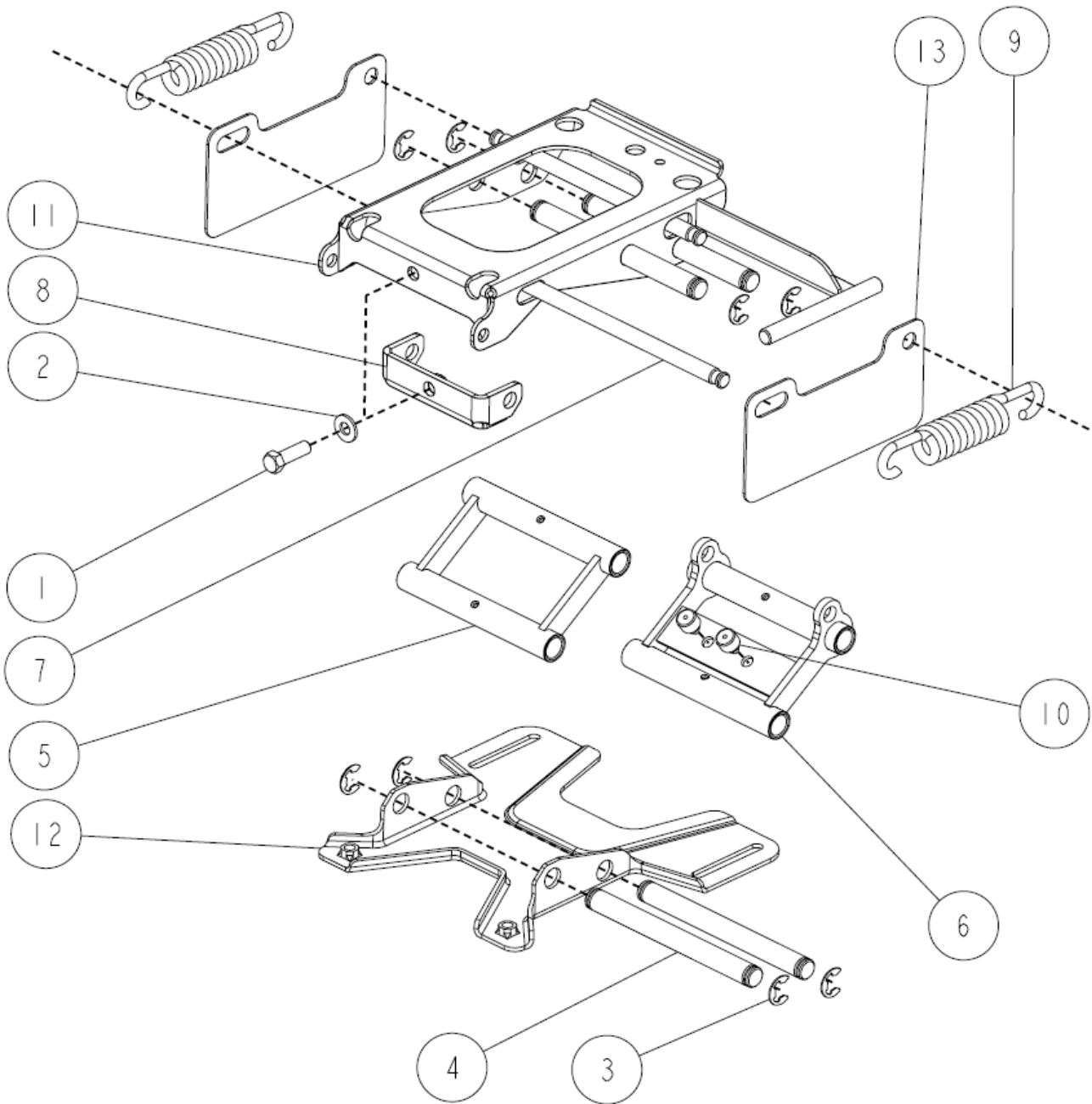
| 7 | 89-5121-406212 | Oil Seal UE 40.62.12 | 1 | |
|------|----------------|----------------------|----------|---------|
| 6 | 89-5121-356210 | Oil Seal UE 35.62.10 | 1 | |
| 5 | 89-3115-069074 | Bearing 6907 2RS | 2 | |
| 4 | 89-2512-000620 | Snap Ring (R62) | 2 | |
| 3 | 0262-50100 | Dust Plate | 1 | |
| 2 | 0244-50300 | Safety Cover CMP | 1 | |
| 1 | 80-1493-641-00 | Vertical Shaft | 1 | |
| Ref. | Parts Number | Parts Name | Quantity | Remarks |



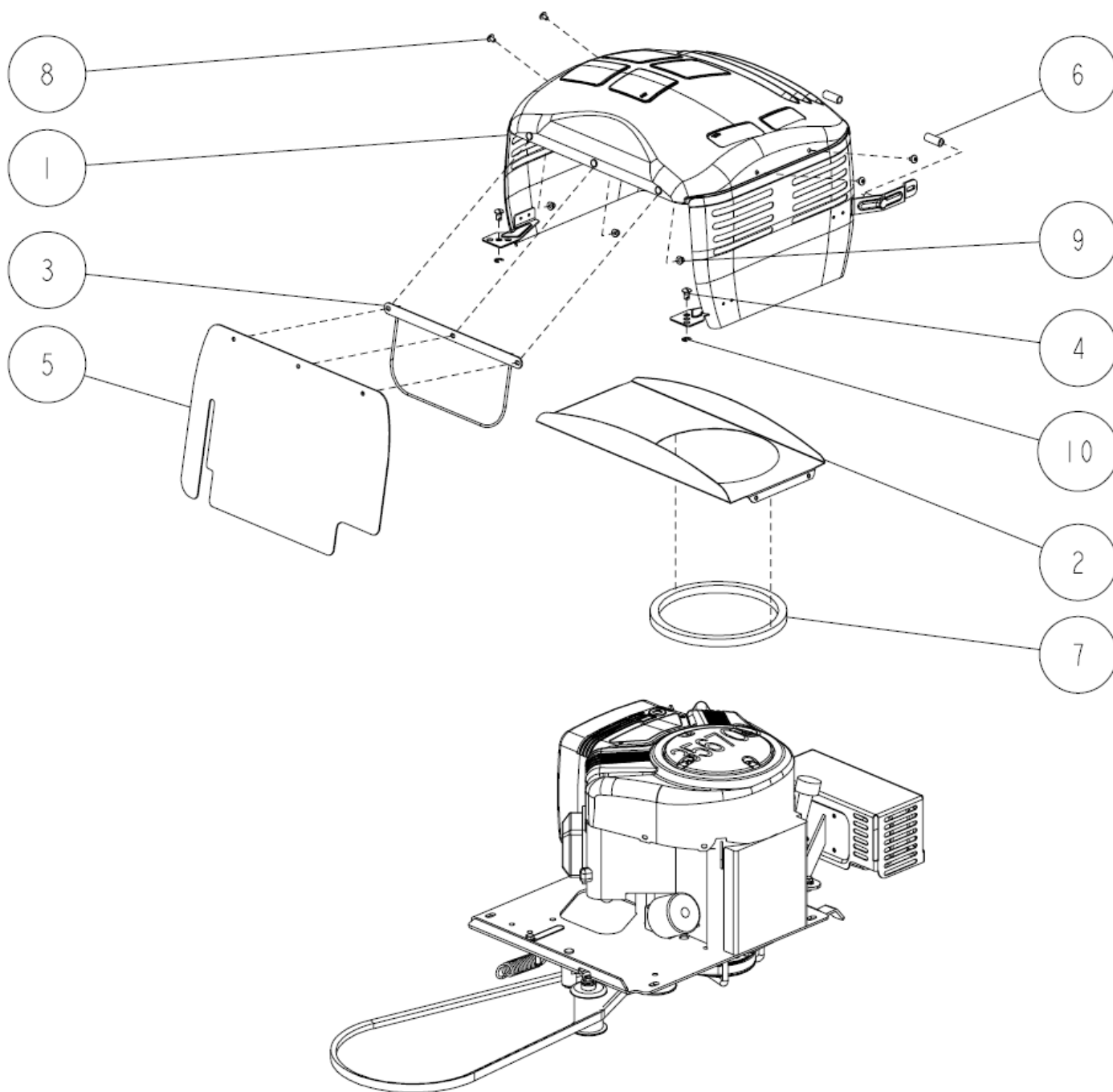
| 10 | 0259-22110 | Seat Bracket CMP | 1 | |
|------|----------------|--------------------------------|----------|---------|
| 9 | 0244-73700 | Grommet 24 | 1 | |
| 8 | 0244-71300 | Sine Fastener T9-170 | 2 | |
| 7 | 89-2521-000083 | E Type Ring 8 | 2 | |
| 6 | 89-1750-080002 | Spring Washer 8 | 4 | |
| 5 | 89-1713-080002 | Flat Washer 8 (large) | 2 | |
| 4 | 89-1232-080202 | Mini Hexagonal Bolt (SW) M8*20 | 2 | |
| 3 | 83-1560-101-00 | Knob Bolt M8*15 | 2 | |
| 2 | 83-1020-314-00 | Washer 8*40*2.3 | 2 | |
| 1 | 80-1792-988-00 | Harness Clip 8 | 1 | |
| Ref. | Parts Number | Parts Name | Quantity | Remarks |



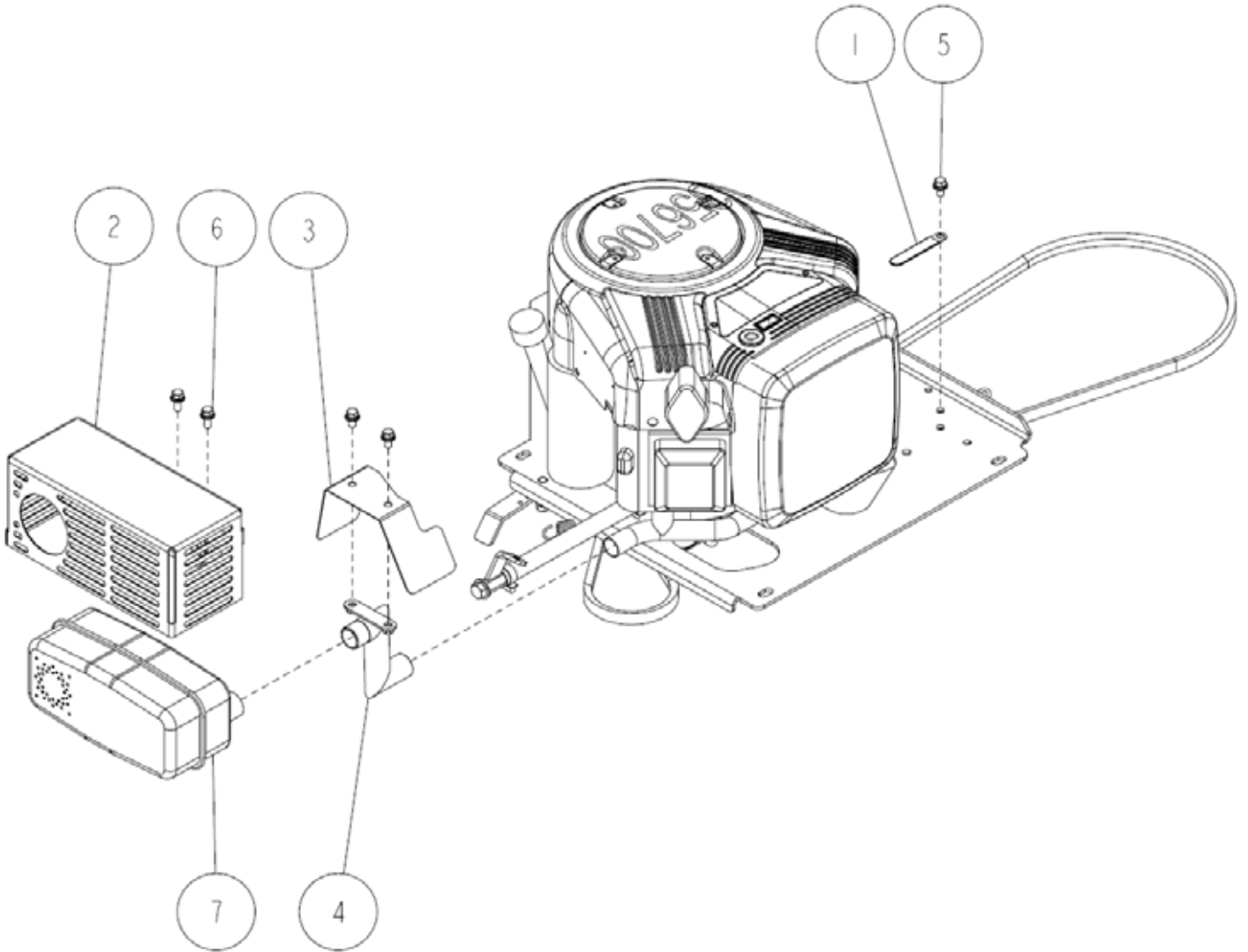
| 11 | 0284-78100 | Seat K4 (Black) | 1 | |
|------|----------------|----------------------------------|----------|---------|
| 10 | 0244-22300 | Seat Receive Pin CMP | 1 | |
| 9 | 0244-21810 | Seat Receiver (97EU) | 1 | |
| 8 | 0207-74400 | Safety Switch K17850 | 1 | |
| 7 | 0207-72900 | Seat Switch Spring | 1 | |
| 6 | 0207-72800 | Switch Lock Nut | 1 | |
| 5 | 89-2120-200202 | Split Pin 2*20 | 1 | |
| 4 | 89-1714-100002 | Flat Washer 10 | 1 | |
| 3 | 89-1531-060042 | Flange Nut M6 | 1 | |
| 2 | 89-1390-060162 | Welded Bolt M6*16 | 1 | |
| 1 | 89-1233-080202 | Mini Hexagonal Bolt (PWSW) M8*20 | 4 | |
| Ref. | Parts Number | Parts Name | Quantity | Remarks |



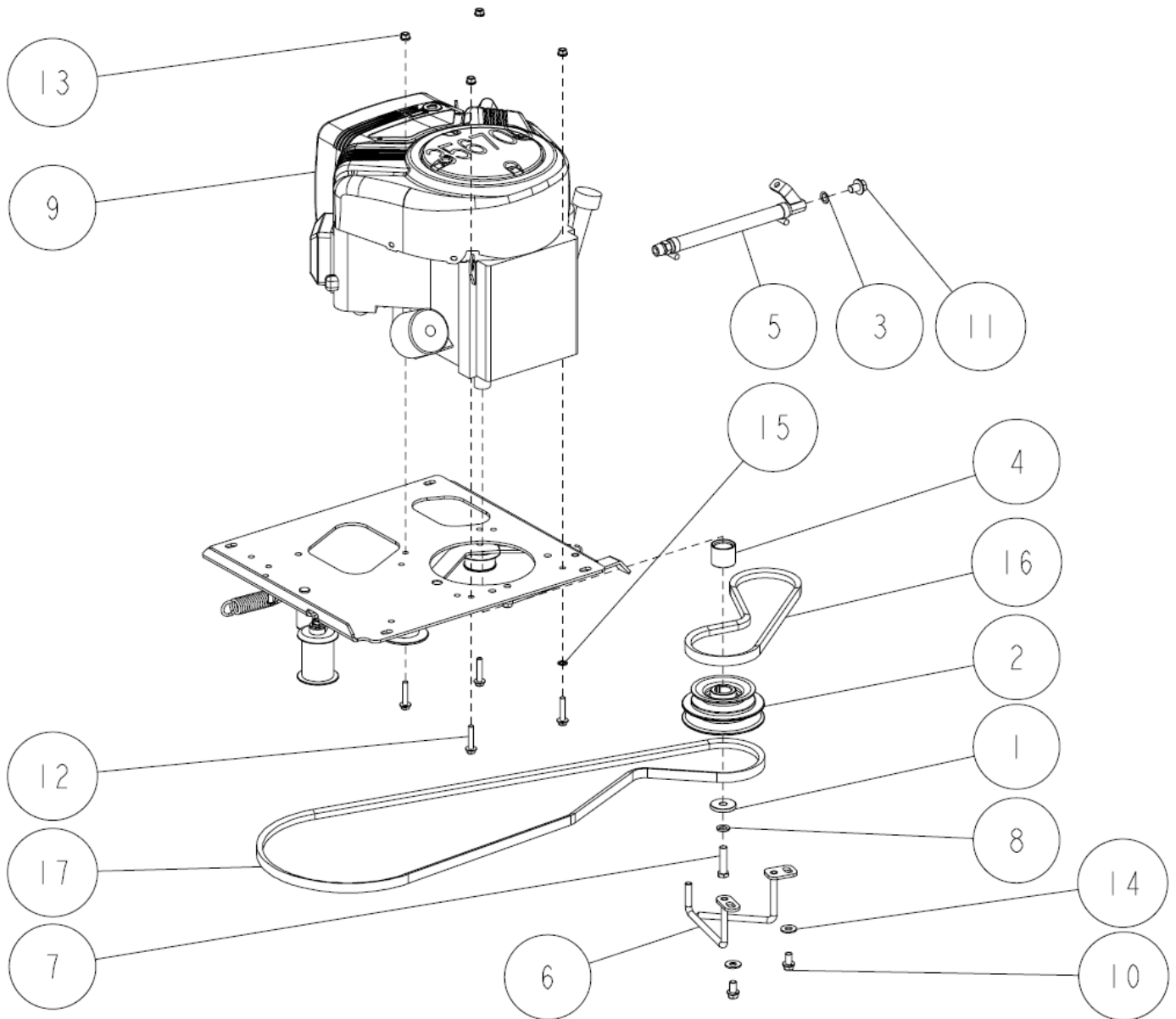
| 13 | 0292-80300 | Seat Link Shield | 2 | |
|------|----------------|----------------------------|----------|---------|
| 12 | 0262-20400 | Link Under Bracket | 1 | |
| 11 | 0259-21210 | Link Upper CMP (98E) | 1 | |
| 10 | 0244-71400 | Seat Cushion Rubber | 2 | |
| 9 | 0244-71200 | Spring for Seat Link | 2 | |
| 8 | 0244-21700 | Spring Shaft Hook CMP | 1 | |
| 7 | 0244-21600 | Spring Shaft | 2 | |
| 6 | 0244-21500 | Seat Link (B) CMP | 1 | |
| 5 | 0244-21400 | Seat Link (A) CMP | 1 | |
| 4 | 0244-21100 | Seat Link Pin | 4 | |
| 3 | 89-2521-000120 | E Type Ring 12 | 8 | |
| 2 | 89-1714-100002 | Flat Washer 10 | 1 | |
| 1 | 89-1211-100302 | Mini Hexagonal Bolt M10*30 | 1 | |
| Ref. | Parts Number | Parts Name | Quantity | Remarks |



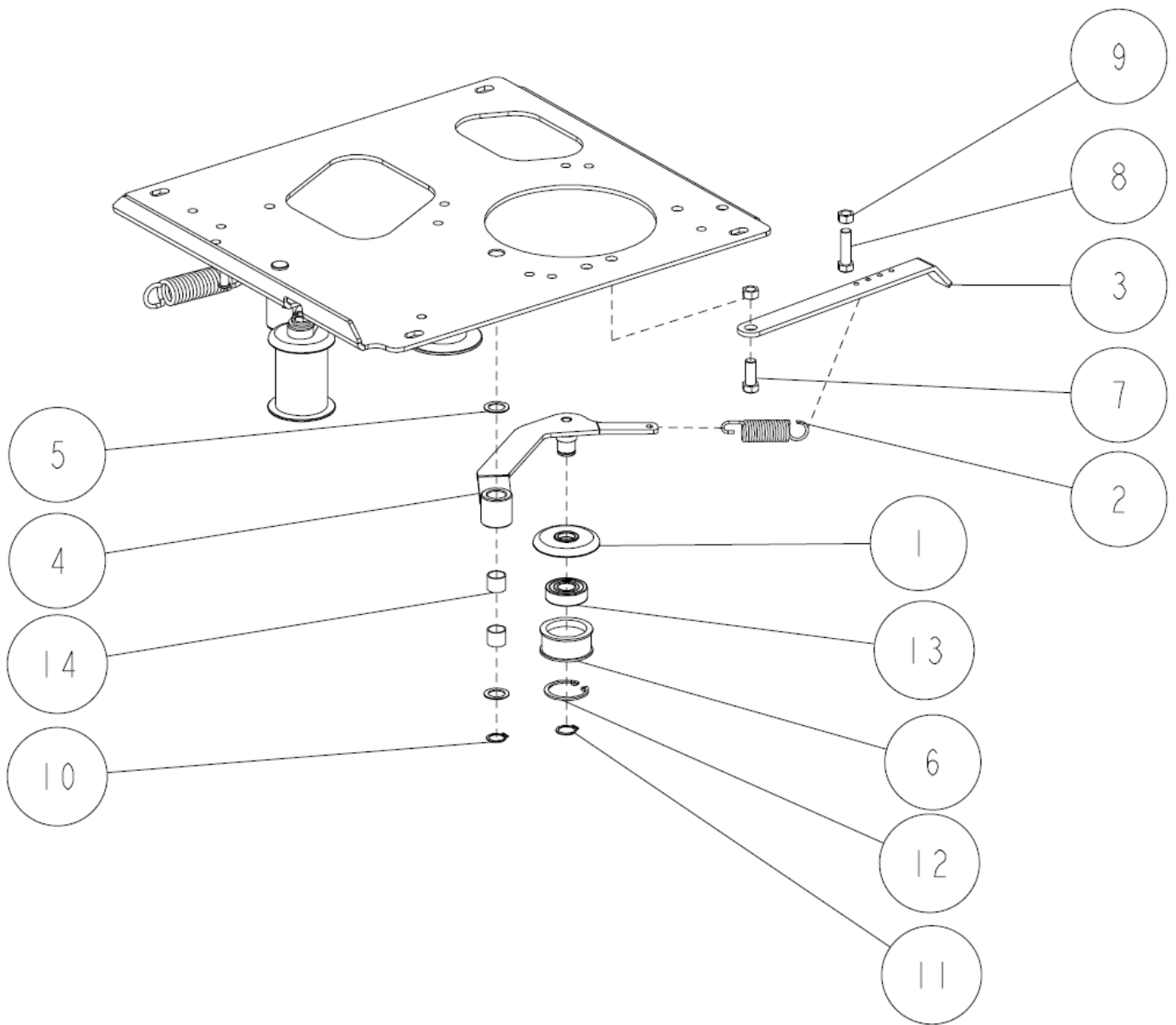
| 10 | 89-2521-000083 | E Type Ring 8 | 2 | |
|------|----------------|------------------------|----------|---------|
| 9 | 89-1581-060042 | Flange Cap Nut M6 | 3 | |
| 8 | 89-1159-060108 | Truss Mini Screw M6*10 | 4 | |
| 7 | 0244-77700 | Air intake Packing | 1 | |
| 6 | 0244-76500 | Rubber Tube 10-14 | 2 | |
| 5 | 0244-72800 | Wind Shield | 1 | |
| 4 | 0244-71300 | Sine Fastener T9-170 | 2 | |
| 3 | 0244-62510 | Wind Shield Holder CMP | 1 | |
| 2 | 0244-60500 | Duct CMP | 1 | |
| 1 | 0244-60310 | Engine Bonnet CMP | 1 | |
| Ref. | Parts Number | Parts Name | Quantity | Remarks |



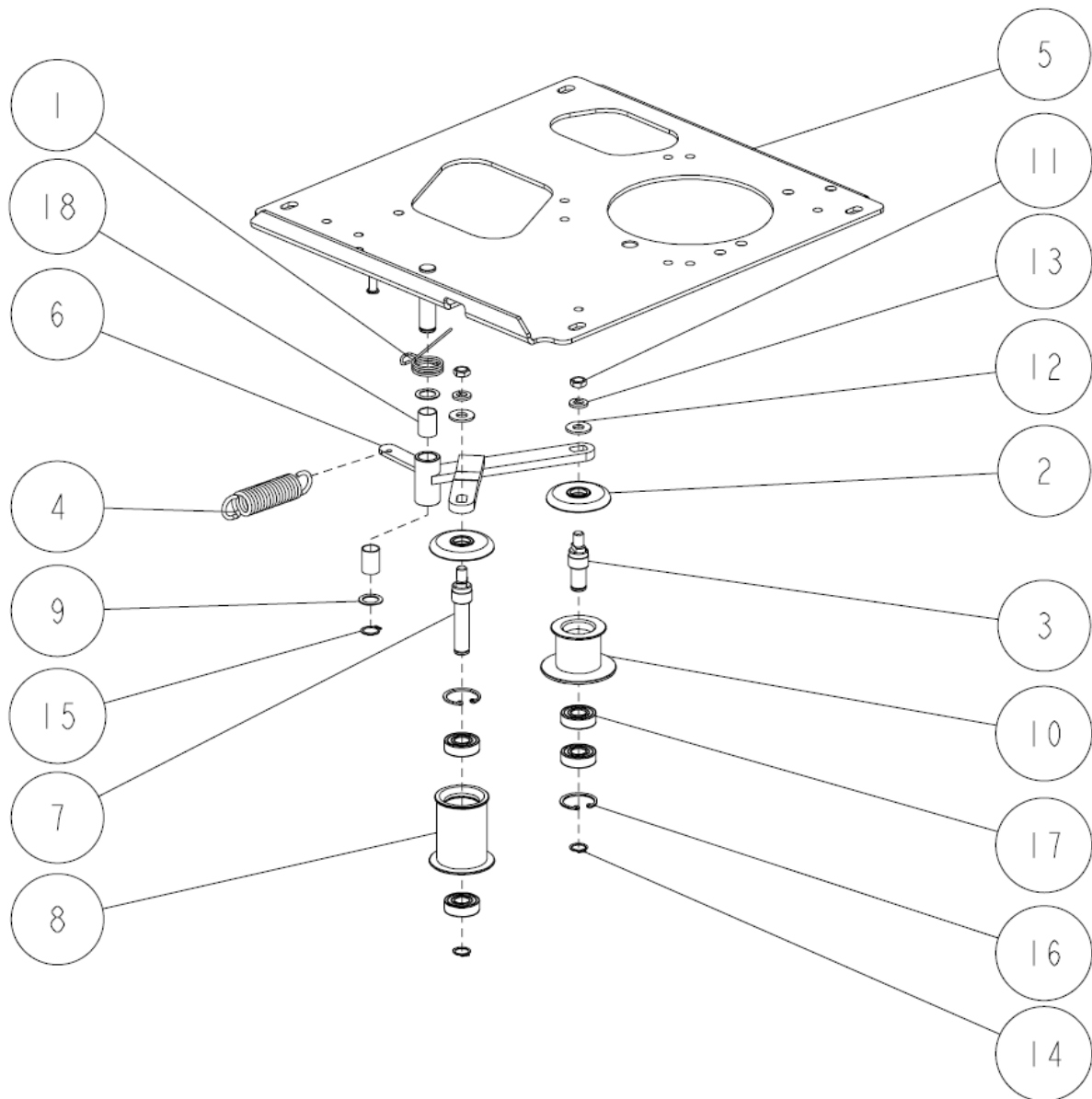
| 7 | Engine Parts | Muffler | 1 | |
|------|----------------|----------------------------------|----------|---------|
| 6 | 89-1233-080202 | Mini Hexagonal Bolt (PWSW) M8*20 | 2 | |
| 5 | 89-1233-080162 | Mini Hexagonal Bolt (PWSW) M8*16 | 3 | |
| 4 | 0281-40200 | Exhaust Adapter CMP | 1 | |
| 3 | 0281-40100 | Exhaust Cover | 1 | |
| 2 | 0255-40500 | Muffler Cover CMP | 1 | |
| 1 | 80-1792-988-00 | Harness Clip 8 | 1 | |
| Ref. | Parts Number | Parts Name | Quantity | Remarks |



| 17 | 89-6123-007803 | V Belt LB-78 (SG1000) | 1 | |
|------|----------------|---------------------------------------|----------|---------|
| 16 | 89-6123-003203 | V Belt LB-32 (SG1000) | 1 | |
| 15 | 89-1812-080002 | Toothed washer (inside) 8 | 1 | |
| 14 | 89-1713-100002 | Flat Washer 10 (large) | 2 | |
| 13 | 89-1543-080002 | Mini Hexagonal Nut (SW) M8 | 4 | |
| 12 | 89-1253-080402 | Flange Mini Hexagonal Bolt (8T) M8*40 | 4 | |
| 11 | 89-1251-120152 | Flange Mini Hexagonal Bolt M12*15 | 1 | |
| 10 | 89-1232-100202 | Mini Hexagonal Bolt (SW) M10*20 | 2 | |
| 9 | Engine | VANGUARD 356777-0139-G1 | 1 | |
| 8 | 83-1493-300-00 | Spring Washer 7/16 | 1 | |
| 7 | 83-1482-115-00 | Hexagonal Bolt(8T) UNF7/16-20*45 | 1 | |
| 6 | 0255-40600 | Belt Holder (Engine) CMP | 1 | |
| 5 | 0244-41600 | Oil Drain Assy (B) | 1 | |
| 4 | 0244-41100 | Engine Collar | 1 | |
| 3 | 0207-74900 | Copper Packing 12.5*19*1.0 | 1 | |
| 2 | 0207-40110 | Engine Pulley | 1 | |
| 1 | 80-1487-516-00 | Washer 11*40*6 | 1 | |
| Ref. | Parts Number | Parts Name | Quantity | Remarks |



| 14 | 89-3510-016150 | DU Bush 16.15 | 2 | |
|------|----------------|---------------------------------|----------|---------|
| 13 | 89-3115-062034 | Bearing 6203 2RS | 1 | |
| 12 | 89-2512-000400 | Snap Ring (R40) | 1 | |
| 11 | 89-2511-000170 | Snap Ring (S17) | 1 | |
| 10 | 89-2511-000160 | Snap Ring (S16) | 1 | |
| 9 | 89-1611-100042 | Mini Hexagonal Nut M10 | 2 | |
| 8 | 89-1213-100357 | Mini Hexagonal Bolt (8T) M10*35 | 1 | |
| 7 | 89-1211-100252 | Mini Hexagonal Bolt M10*25 | 1 | |
| 6 | 83-1032-765-00 | Tension Pulley | 1 | |
| 5 | 83-1020-363-00 | Thrust Washer 16*24*1.0 | 2 | |
| 4 | 0244-42300 | Drive Tension Arm CMP | 1 | |
| 3 | 0207-41100 | Drive Tension Spring Arm | 1 | |
| 2 | 80-1485-551-00 | Driving Tension Spring | 1 | |
| 1 | 80-1482-549-00 | Rubber Cover 58 | 1 | |
| Ref. | Parts Number | Parts Name | Quantity | Remarks |



| 18 | 89-3510-016250 | DU Bush 16.25 | 2 | |
|------|----------------|---|----------|---------|
| 17 | 89-3115-062024 | Bearing 6202 2RS | 4 | |
| 16 | 89-2512-000350 | Snap Ring (R35) | 2 | |
| 15 | 89-2511-000160 | Snap Ring (S16) | 1 | |
| 14 | 89-2511-000150 | Snap Ring (S15) | 2 | |
| 13 | 89-1750-100002 | Spring Washer 10 | 2 | |
| 12 | 89-1713-100002 | Flat Washer 10 (large) | 2 | |
| 11 | 89-1613-100042 | Mini Hexagonal Nut (3 sorts) M10 | 2 | |
| 10 | 83-1483-782-10 | Knife Tension Pulley | 1 | |
| 9 | 83-1020-363-00 | Thrust Washer 16*24*1.0 | 2 | |
| 8 | 0259-40100 | Knife Tension Pulley (B) | 1 | |
| 7 | 0244-42800 | Tension Idler Shaft | 1 | |
| 6 | 0244-42200 | Knife Tension Arm CMP | 1 | |
| 5 | 0244-20300 | Engine Base CMP | 1 | |
| 4 | 0207-78400 | Spring For Knife Tension Return | 1 | |
| 3 | 0207-43100 | Knife Tension Pulley Shaft | 1 | |
| 2 | 80-1482-549-00 | Rubber Cover 58 | 2 | |
| 1 | 80-1481-568-00 | Knife Tension Return Spring ϕ 26.7 | 1 | |
| Ref. | Parts Number | Parts Name | Quantity | Remarks |